

Caddy® Tig 1500i/2200i

Portable solutions for professional welding

The Caddy® name has always been synonymous with robust and durable welding tools designed for the professional welder. Introducing the fifth generation of portable welding equipment from ESAB the latest Caddy® machines have over 30 years experience in inverter technology built in.

Offering true portability

Not only is Caddy® Tig 1500i/2200i small and of low weight. Thanks to its intelligent, compact design it is easy to take along to different indoor and outdoor worksites and also to tuck away when not used, making it handy both in the workshop and on the move.

Single phase mains connection makes it easy to find an electricity supply for the unit, and it works equally well when powered by a portable generator. *

Thanks to the built-in PFC circuit the machine can operate with extra long mains cables, over 100 m, giving the welder a very large working radius.

Impact resistant design

Composite materials in combination with smart design solutions provide a durable and impact resistant machine, adapted to rough conditions. The control panel is recessed, which provides additional protection and durability. Caddy® Tig 1500i/2200i has sturdy and impact resistant cable connectors with OKC 50.

Improving the weld quality

With the TA33 version you only need to set the plate thickness. The machine controls the rest and can be trusted to always help the welder achieve consistent, high quality welding results. Hotter or colder welds can easily be obtained by adjusting the knob.

The TA34 version is designed to support and enhance the skills of the welder and enables excellent welding results to be achieved in a wide range of materials and thicknesses. The TA34 version comes with both adjustable slope up and slope down. It also comes with Micro Pulse functionality, making it easy to control the heat input and minimizing the heat affected zone. This is helpful especially on thin sheets and high tense steels.

Caddy® Tig 1500i/2200i provides true MMA capability with the same capacity and features as ESAB MMA machines of the same voltage range, including the features Hot start, arc force setting, Arc Plus II* and additionally, polarity switch.

*To obtain full output, for use a 12 KvA portable generator with automatic voltage regulation

**Arc Plus II generates an intense yet smooth and stable arc that is easy to control. Smaller droplets are generated, the arc burns smoothly, and there is no need to pause at the edges when weaving. Arc Plus II offers even better welding characteristics, simplifies your work and gives you better weld quality with less need for post weld treatment.

Applications

- Professional welding tool
- In and outdoor installation, repair and maintenance on site
- In and outdoor production, fabrication and civil construction
- Process industry



Supporting the welder

The control panel is easy to overview and has a digital display for accurate welding parameter setting, high control and feedback. It is easy to understand and set, with or without gloves on. The TA34 version comes with two memories for pre-sets, enabling quick and accurate return to pre-defined settings.



Caddy® Tig 1500i/2200i comes with a handy, ergonomic torch with a ball joint that decreases the stress on the welder's wrist and helps the welder access the material in confined spaces.

The 2200i version can also easily be (retro)-fitted with a water cooler.

- **Designed for quality TIG-welding in alloyed, non-alloyed and stainless steel.**
- **Easy to use** - all welding parameters presented in clear layout.
- **ESAB 2-program function** – the ability to pre-program and change program during welding.
- **Pulsed TIG welding** - increased control of heat input and the weld pool.
- **Micro Pulse** – minimise heat affected zone especially on thin material
- **ArcPlus™ II** - better welding characteristics, simplifies your work and gives you better weld quality with less after treatment.
- **True MMA welding characteristics** - Hot start and Arc force setting
- **Extra long mains cable capability** – gives extra large working radius

Technical data

	Caddy® Tig 1500i	Caddy® Tig 2200i
Mains supply V/ph Hz	230/1 50/60	230/1 50/60
Fuse (slow), A	16	16
Recommended generator size, kVA	10	12
Mains cable, mm ²	3x2,5	
Permitted load at 40°C, TIG		
25% duty cycle, A/V	150/16	220/18,8
60% duty cycle, A/V	120/14,8	150/16,0
Permitted load at 40°C, MMA		
25% duty cycle, A/V	150/26	170/26,8
60% duty cycle, A/V	100/24	130/25,2
Setting range TIG, A	3 - 150	3 - 220
Setting range MMA, A	4 - 150	4 - 170
Open circuit voltage, V	72	72
Power factor at maximum current (TIG)	0,98	0,99
Power factor at maximum current (MMA)	0,98	0,99
Efficiency at maximum current (TIG), %	77	75
Efficiency at maximum current (MMA), %	80	81
Dimensions LxWxH, mm	418 x 188 x 208	418 x 188 x 208
Weight, kg	9,2	9,4
Enclosure class	IP 23	IP 23
Application class	S	S
Standards	IEC/EN 60974-1, IEC/EN 60974-3, IEC/EN 60974-10	
Operating temperature, °C	-10 to +40	



Caddy® Tig 1500i and Caddy® Tig 2200i



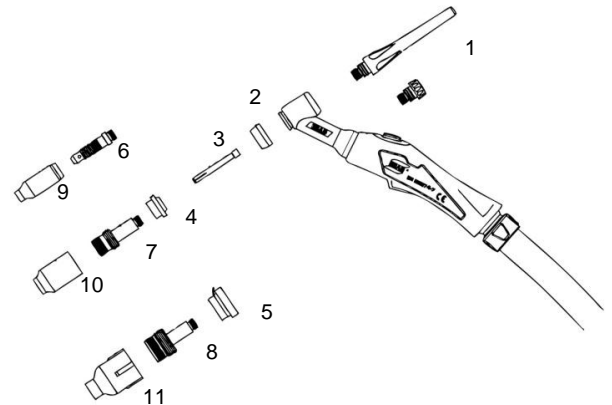
Caddy® Tig 2200i (watercooled)

Water cooling unit CoolMini :

Cooling capacity W, l/min at 40C	700/1,0
Coolant volume, l	2,2
Max flow, l/min	2
Max pressure, 50/60 Hz, bar	2.3 bar
Weight, kg	6,7
External dimension, mm LxWxH	418x188x137

	Caddy® TA34	Caddy® TA33
Slope up, sec	0-10	0-9,9 *
Slope down, sec	0-10	0-10
Gas pre-flow *, sec	0-5	0-5
Gas post-flow, sec	0-25	0-25
Pulse-/background time, sec	0,01-2,5	-
Micro pulse* time, sec	0,001-0,250	-
Plate thickness setting, mm	-	0,1-7,3

* Hidden function



- | | |
|--------------------------------------|---|
| 1. Back cap | 6. Collet body, standard |
| 2. Heat shield | 7. Collet body with lens |
| 3. Collet, standard and for gas lens | 8. Collet body, extra large lens |
| 4. Heat shield | 9. Gas nozzle, standard |
| 5. Heat shield | 10. Gas nozzle, for gas lens |
| | 11. Extra large gas nozzle for extra large gas lens |

Ordering information

Caddy® Tig 1500i, TA33 package incl. Tig torch TXH 151,4m	0460 450 880
Caddy® Tig 2200i, TA33 package incl. Tig torch TXH 201,4m	0460 450 881
Caddy® Tig 1500i, TA34 package incl. Tig torch TXH 151,4m	0460 450 882
Caddy® Tig 2200i, TA34 package incl. Tig torch TXH 201,4m	0460 450 883
Caddy® Tig 2200iw, TA33 package incl. water cooler and Tig torch TXH 251w, 4m	0460 450 884
Caddy® Tig 2200iw, TA34 package incl. water cooler and Tig torch TXH 251w, 4m	0460 450 885
Caddy® Tig 1500i, TA33 package	0460 450 890
Caddy® Tig 2200i, TA33 package	0460 450 891
Caddy® Tig 1500i, TA34 package	0460 450 892
Caddy® Tig 2200i, TA34 package	0460 450 893
Caddy® Tig 2200iw, TA33 package	0460 450 894
Caddy® Tig 2200iw, TA34 package	0460 450 895
Cooling unit, CoolMini	0460 144 880

Included in all packages: 3 m mains cable with plug, 2 m gas hose, 2 hose clamps and 3 m return cable with clamp.

Accessories

Shoulder strap	0460 265 003
Trolley (for 5 to 10 l gas cylinder)	0459 366 885
Trolley (for 20 to 50 l gas cylinder)	0459 366 887
Trolley (for 20 to 50 l gas cylinder)	0460 330 880
Foot pedal T1 Foot CAN incl. 5 m cable	0460 315 880
Remote control AT1CAN	0459 491 883
Remote control AT1 CoarseFine CAN	0459 491 884
Remote control MTA1 CAN	0459 491 880
Connection cables for remote controls:	
5 m cable CAN	0459 554 880
10 m cable CAN	0459 554 881
TIG torch TXH™ 151 OKC50, 4m	0700 300 538
TIG torch TXH™ 151 OKC50, 8m	0700 300 544
TIG torch TXH™ 201 OKC50, 4m	0700 300 552
TIG torch TXH™ 201 OKC50, 8m	0700 300 555
TIG torch TXH™ 251w OKC50, 4m	0700 300 561
TIG torch TXH™ 251w OKC50, 8m	0700 300 563
Warrior Tech Helmet Black	0700 000 400
Warrior Tech Helmet Yellow	0700 000 401
Welding gloves TIG Basic	0700 653 532
Esab Curved TIG gauntlet, L	0700 005 041

ESAB AB
 Box 8004
 SE-402 77 GÖTEBORG SWEDEN
 Phone: +46 31 50 90 00 Fax +46 31 22 04 49
 E-mail: info@esab.se

www.esab.com



**COMPANY WITH
 MANAGEMENT SYSTEM
 CERTIFIED BY DNV**
 = ISO 9001 =
 = ISO 14001 =
 = OHSAS 18001 =