

STRIP BRACKET SET

STRIP BRACKET SET FOR FLEXHOOD

Brackets, consisting of two parts, to fasten and mount welding strips to a modular extraction hood.

The strip bracket set is supplied as an option.

Strip bracket sets are supplied per 4, 20 and 40 pieces.

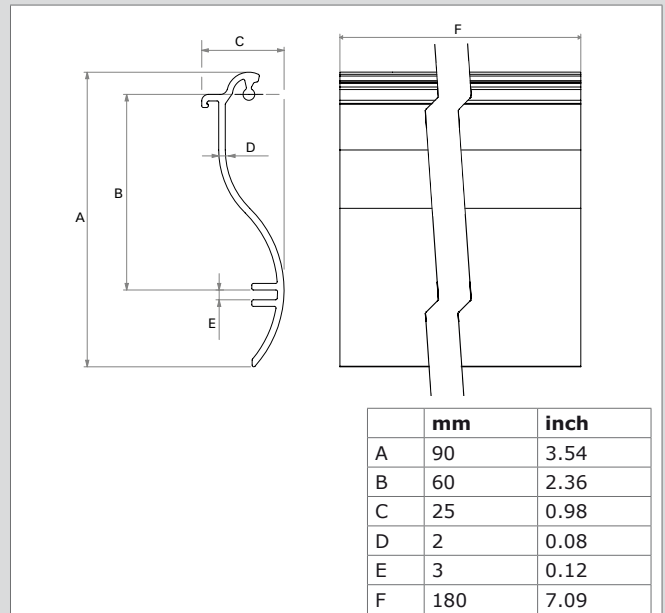


x4
x20
x40

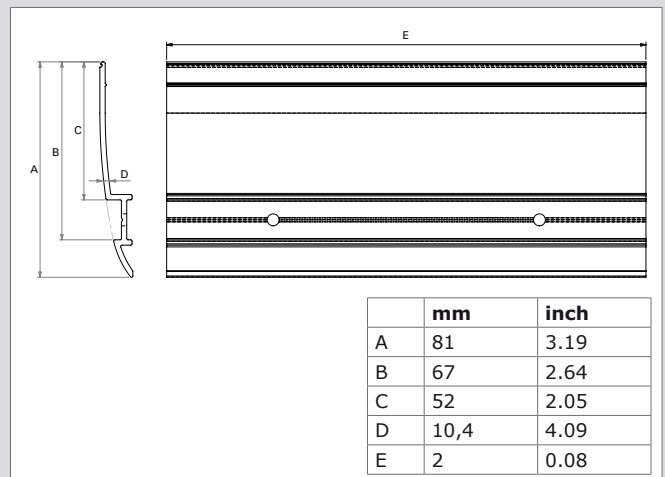
SPECIFICATIONS

■ Physical dimensions and properties	
Material	aluminium
Colour	anodized
Weight (net):	
• front part	• 120 g (0.3 lbs) per piece
• back part	• 86 g (0.2 lbs) per piece
Number of brackets per meter	4
■ Product combinations	
Welding strips	
■ Scope of supply	
Refer to Table 1	
■ Order information	
Article number	refer to Table 1
Number/package	refer to Table 1
■ Shipping data	
Gross weight	refer to Table 1
Packing dimensions	refer to Table 1
Harmonized Tariff Code	8421.9900.99
Country of origin	the Netherlands

DIMENSIONS



Front part

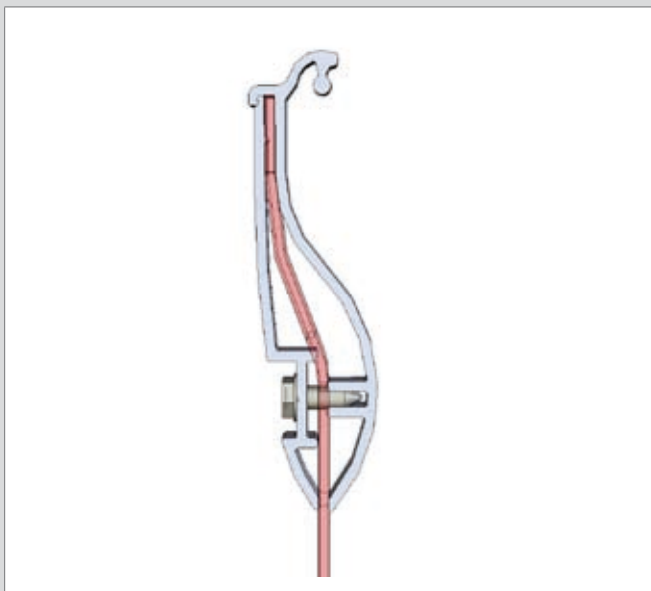


Back part

Table 1: Variables

Type	Strip bracket set (4 pcs)	Strip bracket set (20 pcs)	Strip bracket set (40 pcs)
Article number	9750500010	9750500020	9750500030
Number/package	4	20	40
Scope of supply: • Strip bracket - front part • Strip bracket - back part • Screw 4,2x13	• 4 • 4 • 8	• 20 • 20 • 40	• 40 • 40 • 80
Weight (gross)	1 kg (2.2 lbs)	4,5 kg (9.9 lbs)	10 kg (22 lbs)
Packing dimensions	225 x 115 x 80 mm (8.9 x 4.5 x 3.2 in.)	310 x 235 x 240 mm (12.2 x 9.3 x 9.4 in.)	365 x 245 x 235 mm (14.4 x 9.6 x 9.3 in.)

ASSEMBLY



FEATURES

<p>Easy mounting to main frame profile of modular hood</p>	
<p>Solid fastening of welding strips (back view)</p>	

Product type	Strip bracket set
Article no.	<i>refer to Table 1</i>
Product category	modular extraction hoods
Version	170211/C

Always check the latest version on www.plymovent.com.