

MULTIDUST® BANK

The MultiDustBank is a modular, self-cleaning cartridge filter system that is intended to use for welding, grinding, cutting applications and other dry dusts and fumes. Depending on the specific application, the MultiDustBank can be designed in size and shape to best fit the application and installation requirements. The MultiDustBank features a powerful cleaning system, Ram-Air, that ensures a good cleaning efficiency even in heavy applications.



APPLICATIONS

The MultiDustBank is intended to be used for the following applications:

- MIG-MAG/GMAW welding
- TIG welding
- FCAW welding
- stick/MMAW welding
- grinding
- cutting
- polishing



Do NOT use the MultiDustBank for the following applications or in the following circumstances:

- oil mist
- heavy oil mist in welding fume
- extraction of aggressive fumes and gases (e.g. from acids, from alkaline, from soldering paste containing lithium)
- extraction of hot gases (more than 45°C/113°F continuously)
- grinding aluminium and magnesium
- flame spraying
- extraction of cement, saw dust, wood dust etc.
- sucking cigarettes, cigars, oiled tissues and other burning particles, objects and acids
- explosive environments or explosive substances/gases



PERFORMANCE

Recommended extraction capacity	Depends on application
---------------------------------	------------------------

PRESSURE DROP

Operational pressure drop	Depends on application, pressure drop for calculation purpose only is 1200-1500Pa / 4,75-6" wg.
---------------------------	---

AMBIENT CONDITIONS

Min. operating temperature	5°C (41°F)
Nom. operating temperature	15-30°C (60-85°F)
Max. operating temperature	80°C (175°F)
Max. relative humidity	80%
Outdoor use allowed	Yes, weather protected
Storage conditions	-25 to +40°C (13 to 105°F)

AVAILABLE ACCESSORIES

	Art.no	Description
PS-500	9900-1011	Pre separator for MultiDust® Bank and inlet Ø 315 mm/ 12,4" Max 3000 m3/h/ 1764cfm
BPF	9875-1011	Pre filter for MultiDust® Bank
Preco-N	984500	Precoating material 14 kg
CAR-KIT	9912-1011	Compressed air regulator with gauge manometer, 3/8" connection.

SCOPE OF SUPPLY

Supplied as modular system

TECHICAL DATA

ALL	
Power supply	115, 208, 230, 400, 460, 575 V, 1 ~ (L1, L2 and ground) Factory setting 230V
Frequency:	50/60 Hz
Output voltage:	24V AC
Load/output:	Max. 2 valves, as standard. Max. total of 24 or 64 valves depending on model
Filter power:	Max 75W
Compressed air feed:	Max. 5 Bar/ 65 lb/sq.in
Compressed air connection:	12mm push-in fitting
Compressed air consumption	Ca. 50 litres/ 1,8 cf of free air per pulse/ 10 litres/ 0,35 cf compressed air in 5 Bar/ 65 lb/sq.in
Pulse time:	0.01-9.99 sec. Factory setting: 0.25 sec
Pause:	1-999 sec. Factory setting: 60 sec
Shut down cleaning:	0-99 cycles Factory setting: 3 cycles
Alarm level	1500 Pa/ 6" wg
Working temperature:	-10°C...+50°C/ 14°F...122°F
Safety classification:	IP 54 / NEMA 12
CONT-A24: Simple timer controlled cleaning, 24 valves, power supply: 115/230V, with analog pressure gauge.	
CONT-B24: Timer controlled cleaning, 24 valves, power supply: 115-575V, alarm function, with analog pressure gauge.	
CONT-B64: Timer controlled cleaning, 64 valves, power supply: 115-575V, alarm function, with analog pressure gauge	
CONT-BF24: Timer controlled cleaning, 24 valves, fan control, power supply: 115-575V, alarm function, with analog pressure gauge	
CONT-BF64: Timer controlled cleaning, 64 valves, fan control, power supply: 115-575V, alarm function, with analog pressure gauge	
CONT-C24: Pressure controlled cleaning, 24 valves, power supply: 115-575V, alarm function, digital pressure reading.	
CONT-C64: Pressure controlled cleaning, 64 valves, power supply: 115-575V, alarm function, digital pressure reading.	
CONT-CF24: Pressure controlled cleaning, 24 valves, fan control, power supply: 115-575V, alarm function, digital pressure reading.	
CONT-CF64: Pressure controlled cleaning, 64 valves, fan control, power supply: 115-575V, alarm function, digital pressure reading.	

ALARM FUNCTION

Control boxes: CONT-B24/B64, BF24/BF64, C24/C64, CF24/CF64.
The MultiDust® Bank is equipped with an alarm which monitors the status of the filter cartridges. The pressure difference across the filter cartridges is continuously monitored and when the pressure drop exceeds 1500 Pa/ 6,0"wg, a red alarm LED will light. The filter must then be attended to and changing the filter cartridges may be required. When changing filter cartridges, the start-up routines must be followed.

APPROVAL CERTIFICATIONS



SHUT DOWN CLEANING

Shut-down cleaning entails that cleaning the filter cartridges using compressed air is carried out with the fan switched off. The PlymoVent MultiDust® Bank controllers are equipped as standard with this type of cleaning. The number of cleaning cycles can be set between 0 - 99. See cabinet layout (control panels). This kind of cleaning is needed for some applications when there is a high concentration of dust or when the particle weight is light. By overcoming the under pressure inside the filter housing the max. amount of particles are released from the filter cartridges. These particles fall down via the hopper of the filter into the dust bin.

PHYSICAL DIMENSIONS AND PROPERTIES

Material: - housing - rack	polyester coated carbon steel polyester coated galvanized steel
Colour: - housing - panels	- black RAL 9005 - yellow RAL 1004
Weights	See chart on following pages
Dimensions	See chart on following pages

SHIPPING DATA

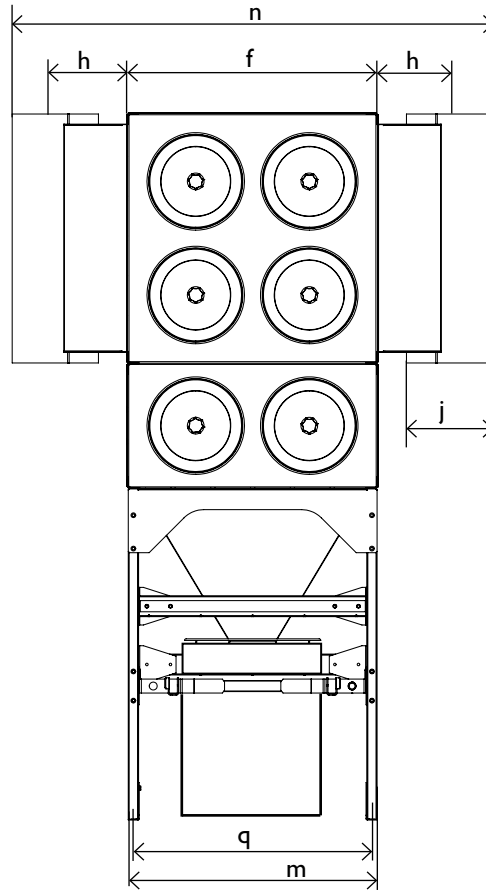
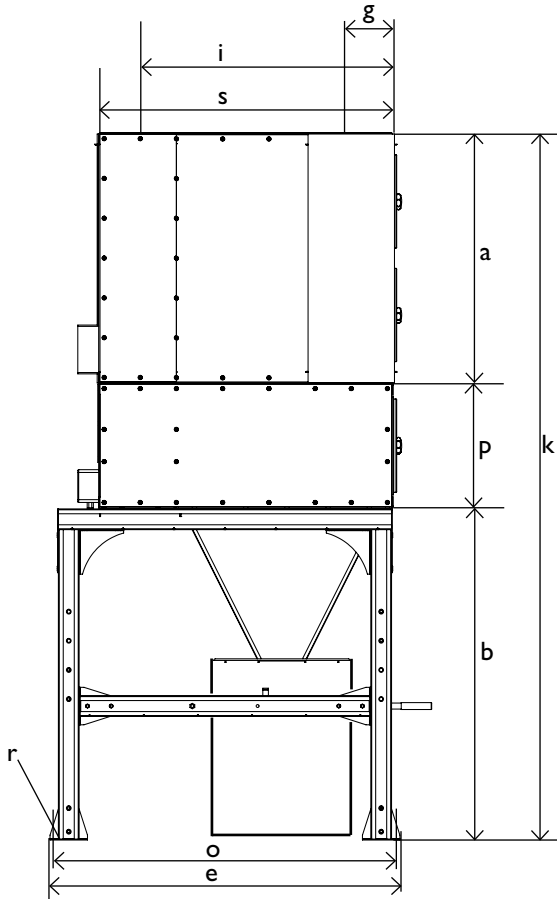
Art. no	Product no	Gross weight kg/lbs	Packing dimensions mm	Packing dimensions inch	Harmonized Tariff Code
9555-1011	MDB-BM-4	122/268	1200x1000x1070	47,3x39,4x42,2	8421 3920 90
9560-1011	MDB-BM-2	93/204	1200x1000x650	47,3x39,4x25,6	8421 3920 90
7885-1011	MDB-Cover-S	4,5/10	890x275x15	35,1x10,9x0,6	8421 9900 99
7887-1011	MDB-Cover-M	6,5/14,3	890x500x15	35,1x19,7x0,6	8421 9900 99
7890-1011	MDB-Cover-U	4,5/10	890x275x15	35,1x10,9x0,6	8421 9900 99
7892-1011	MDB-Cover-2	7/15,4	1100x500x15	43,3x19,7x0,6	8421 9900 99
7217-1011	MDB-RACK II	42/92,4	1200x1200x120	47,3x47,3x4,8	8421 9900 99
7845-1011	MDB-HOPPER	20/44	1200x800x650	47,3x31,5x25,6	8421 9900 99
7965-1011	MDB-DB-90	12/26,4	590x590x650	23,3x23,3x25,6	7310 1000 00
7492-1011	MDB-INL-315	20/44	905x425x365	35,7x16,8x14,4	8421 9900 99
7502-1011	MDB-INL-400	23/50,6	905x425x365	35,7x16,8x14,4	8421 9900 99
7512-1011	MDB-INL-500	28/61,6	1200x800x560	47,3x31,5x22,1	8421 9900 99
7292-1011	MDB-OUTL-315	16/35,2	905x425x365	35,7x16,8x14,4	8421 9900 99
7302-1011	MDB-OUTL-400	19/41,8	905x425x500	35,7x16,8x19,7	8421 9900 99
7312-1011	MDB-OUTL-500	24/52,8	1200x800x560	47,3x31,5x22,1	8421 9900 99
7795-1011	MDB-JOIN-KIT	0,5/1,1	300x300x70	11,8x11,8x2,8	8421 9900 99
9912-1011	MDB-CAR-KIT	2/4,4	320x300x80	12,6x11,8x3,2	8481 1099 90
9935-1011	CONT-A24	3/6,6	450x390x190	17,7x15,4x7,5	8421 3920 90
9940-1011	CONT-B24	14/30,8	450x390x190	17,7x15,4x7,5	8421 3920 90
9945-1011	CONT-B64	14,5/31,9	450x390x190	17,7x15,4x7,5	8421 3920 90
9960-1011	CONT-BF24	14,5/31,9	450x390x190	17,7x15,4x7,5	8421 3920 90
9965-1011	CONT-BF64	14/30,8	450x390x190	17,7x15,4x7,5	8421 3920 90
9950-1011	CONT-C24	15/33	450x390x190	17,7x15,4x7,5	8421 3920 90
9955-1011	CONT-C64	14,5/31,9	450x390x190	17,7x15,4x7,5	8421 3920 90
9970-1011	CONT-CF24	14,5/31,9	450x390x190	17,7x15,4x7,5	8421 3920 90
6805-1011	CART-C	8/17,6	800x350x350	31,5x13,8x13,8	8421 9900 99
6815-1011	CART-D	8/17,6	800x350x350	31,5x13,8x13,8	8421 9900 99

Country of origin: Sweden

MODEL INFO

Art. no	Product no	MDB-BM-4	MDB-BM-2	MDB-COVER-S	MDB-COVER-M	MDB-COVER-U	MDB-COVER-2	MDB-RACK	MDB-HOPPER	MDB-DB-90	MDB-INL-315	MDB-INL-400	MDB-INL-500	MDB-OUTL-315	MDB-OUTL-400	MDB-OUTL-500	MDB-JOIN-KIT	AD-315	AD-400	AD-500
9606-1011	MDB-4	1		4	3	1		1	1	1	1			1			1			
9766-1011	MDB-6	1	1	4	3	1	2	1	1	1	1			1			1	1		
9646-1011	MDB-8-H	2		6	4	2		2	2	2		1			1		1		1	
9616-1011	MDB-8-V	2		6	5	1		1	1	1		2			2		1		1	
9776-1011	MDB-10-V	2	1	6	5	1	2	1	1	1		2			2		2		1	
9786-1011	MDB-12	2	2	6	4		2	2	2	2		2			2		3		1	
9686-1011	MDB-12-H	3		7	5			3	3	3		3			3		2		1	
9626-1011	MDB-12-V	3		8	7	1		1	1	1		3			3		2		1	
9656-1011	MDB-16	4		4	6	2		2	2	2		4			4		4		2	
9796-1011	MDB-16-H	4		8	6			4	4	4			4			4	3			1
9636-1011	MDB-16-V	4		10	9	1		1	1	1			4			4	3			1
9706-1011	MDB-18	3	3	7	5		2	3	3	3			3			3	5			1
9806-1011	MDB-20	4	2	4	6	2	2	2	2	2		4			4		6		2	
9696-1011	MDB-24-H	6		6	7	3		3	3	3			4			4	7			2
9666-1011	MDB-24-V	6		4	8	2		2	2	2		6			6		7		2	
9736-1011	MDB-32-H	8		8	8	4		4	4	4			4			4	10			2
9676-1011	MDB-32-V	8		4	10	2		2	2	2			8			8	10			2
9716-1011	MDB-36	9		3	9	3		3	3	3			6			6	12			2

PHYSICAL DIMENSIONS AND PROPERTIES



All measurements in mm

Model	a	b	e	f	g	h	i	j	k	m	n	o	p	q	r	s	Net Weight kg
BM-2	-	-	-	900	150	-	-	-	-	-	-	-	445	-	-	1060	80
MDB-4	900	1200	1310	900	150	259	910	315	2100	900	1733	1280	-	870	Ø9	1060	300
MDB-6	1350	1200	1310	900	150	259	910	315	2550	900	1733	1280	-	870	Ø9	1060	380
MDB-8-V	1800	1200	1310	900	150	302	910	400	3000	900	1904	1280	-	870	Ø9	1060	420
MDB-8-H	900	1200	1310	1800	150	302	910	400	2100	900	2804	1280	-	870	Ø9	1060	455
MDB-10-V	2250	1200	1310	900	150	302	910	400	3450	900	1904	1280	-	870	Ø9	1060	480
MDB-12	1350	1200	1310	1800	150	302	910	400	2550	900	1810	1280	-	870	Ø9	1060	575
MDB-12-H	900	1200	1310	2700	150	302	910	400	2100	900	2710	1280	-	870	Ø9	1060	680
MDB-12-V	2700	1200	1310	900	150	302	910	400	3900	900	1904	1280	-	870	Ø9	1060	630
MDB-16	1800	1200	1310	1800	150	352	910	500	3000	900	2904	1280	-	870	Ø9	1060	795
MDB-16-H	900	1200	1310	3600	150	352	910	500	2100	900	3610	1280	-	870	Ø9	1060	1485
MDB-16-V	3600	1200	1310	900	150	352	910	500	4800	900	2004	1280	-	870	Ø9	1060	805
MDB-20	2250	1200	1310	1800	150	352	910	500	3450	900	2904	1280	-	870	Ø9	1060	915
MDB-24-H	1800	1200	1310	2700	150	302	910	400	3000	900	3704	1280	-	870	Ø9	1060	1135
MDB-24-V	2700	1200	1310	1800	150	302	910	400	3900	900	2804	1280	-	870	Ø9	1060	1110
MDB-32-H	1800	1200	1310	3600	150	352	910	500	3000	900	4704	1280	-	870	Ø9	1060	1485
MDB-32-V	3600	1200	1310	1800	150	352	910	500	4800	900	2904	1280	-	870	Ø9	1060	1435
MDB-36	2700	1200	1310	2700	150	352	910	500	3900	900	3804	1280	-	870	Ø9	1060	1695
MDB-48-H	2700	1200	1310	3600	150	352	910	500	3900	900	4704	1280	-	870	Ø9	1060	2170
MDB-48-V	3600	1200	1310	2700	150	352	910	500	4800	900	3804	1280	-	870	Ø9	1060	2155
MDB-64	3600	1200	1310	3600	150	352	910	500	4800	900	4704	1280	-	870	Ø9	1060	2760

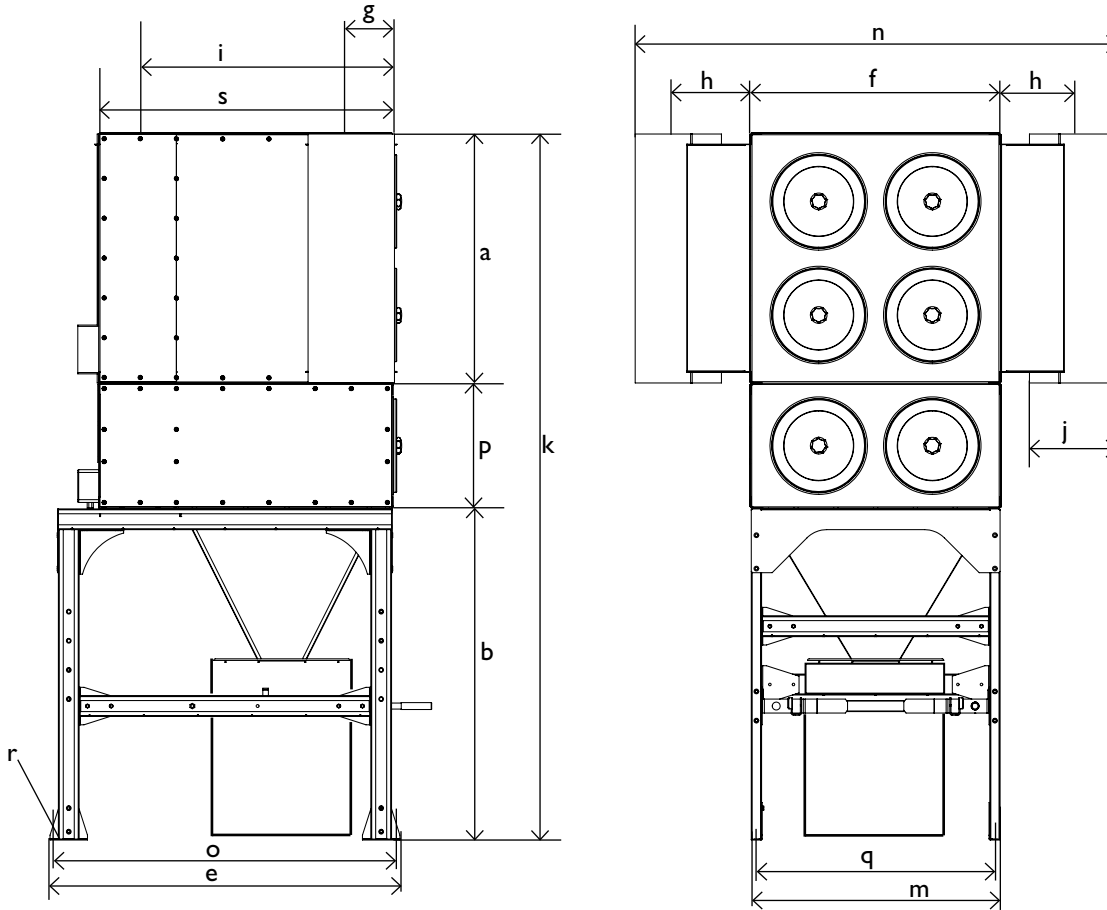
Sales office
 Plymovent AB
 Kopparbergsgatan 2
 SE-214 44 MALMÖ
 SWEDEN
 Tel: +46 40 30 31 30
 Fax: +46 40 30 31 40
 info@plymovent.se

USA
 Plymovent Corp.
 115 Melrich Road
 Cranbury, New Jersey 08512, USA
 Tel: +1 609 395 3500
 Fax: +1 609 655 0919

England
 Plymovent Ltd
 Marley Way, Southam Road
 Banbury, OX16 2RA, England
 Tel: +44 1295 25 93 11
 Fax: +44 1295 27 17 50
 info@plymovent.ca

Canada
 Plymovent Inc
 24- 1200 Aerowood Dr
 Mississauga, On L4W 2S7, Canada
 Tel: +1 (905) 564-4748
 Fax: +1 (905) 564-4609
 info@plymovent.ca

PHYSICAL DIMENSIONS AND PROPERTIES



All measurements in inch

Model	a	b	e?	f	g	h	i	j	k	m	n	o	p	q	r	s	Net Weight lbs
BM-2	-	-	-	35,4	5,9	-	-	-	-	-	-	-	17,5	-	-	41,7	176
MDB-4	35,4	47,2	51,6	35,4	5,9	10,2	35,8	12,4	82,6	35,4	68,2	50,4	-	34,2	Ø 0,354	41,7	661
MDB-6	53,1	47,2	51,6	35,4	5,9	10,2	35,8	12,4	100,3	35,4	68,2	50,4	-	34,2	Ø 0,354	41,7	838
MDB-8-V	70,9	47,2	51,6	35,4	5,9	11,9	35,8	15,7	118,1	35,4	75	50,4	-	34,2	Ø 0,354	41,7	926
MDB-8-H	35,4	47,2	51,6	70,9	5,9	11,9	35,8	15,7	82,6	35,4	110,4	50,4	-	34,2	Ø 0,354	41,7	1003
MDB-10-V	88,6	47,2	51,6	35,4	5,9	11,9	35,8	15,7	135,8	35,4	75	50,4	-	34,2	Ø 0,354	41,7	1058
MDB-12	53,1	47,2	51,6	70,9	5,9	11,9	35,8	15,7	100,3	35,4	71,3	50,4	-	34,2	Ø 0,354	41,7	1 268
MDB-12-H	35,4	47,2	51,6	106,3	5,9	11,9	35,8	15,7	82,6	35,4	106,7	50,4	-	34,2	Ø 0,354	41,7	1 499
MDB-12-V	106,3	47,2	51,6	35,4	5,9	11,9	35,8	15,7	153,5	35,4	75	50,4	-	34,2	Ø 0,354	41,7	1389
MDB-16	1800	47,2	51,6	70,9	5,9	13,9	35,8	19,7	118,1	35,4	114,3	50,4	-	34,2	Ø 0,354	41,7	1673
MDB-16-H	35,4	47,2	51,6	141,7	5,9	13,9	35,8	19,7	82,6	35,4	142,2	50,4	-	34,2	Ø 0,354	41,7	3274
MDB-16-V	141,7	47,2	51,6	35,4	5,9	13,9	35,8	19,7	188,9	35,4	78,9	50,4	-	34,2	Ø 0,354	41,7	1775
MDB-20	88,6	47,2	51,6	70,9	5,9	13,9	35,8	19,7	135,8	35,4	114,3	50,4	-	34,2	Ø 0,354	41,7	2017
MDB-24-H	70,9	47,2	51,6	106,3	5,9	11,9	35,8	15,7	118,1	35,4	145,8	50,4	-	34,2	Ø 0,354	41,7	1135
MDB-24-V	106,3	47,2	51,6	106,3	5,9	11,9	35,8	15,7	153,5	35,4	110,4	50,4	-	34,2	Ø 0,354	41,7	2502
MDB-32-H	70,9	47,2	51,6	141,7	5,9	13,9	35,8	19,7	118,1	35,4	185,2	50,4	-	34,2	Ø 0,354	41,7	3274
MDB-32-V	141,7	47,2	51,6	70,9	5,9	13,9	35,8	19,7	188,9	35,4	114,3	50,4	-	34,2	Ø 0,354	41,7	3164
MDB-36	106,3	47,2	51,6	106,3	5,9	13,9	35,8	19,7	153,5	35,4	149,8	50,4	-	34,2	Ø 0,354	41,7	3737
MDB-48-H	106,3	47,2	51,6	141,7	5,9	13,9	35,8	19,7	153,5	35,4	185,2	50,4	-	34,2	Ø 0,354	41,7	4784
MDB-48-V	141,7	47,2	51,6	106,3	5,9	13,9	35,8	19,7	188,9	35,4	149,8	50,4	-	34,2	Ø 0,354	41,7	4751
MDB-64	141,7	47,2	51,6	141,7	5,9	13,9	35,8	19,7	188,9	35,4	185,2	50,4	-	34,2	Ø 0,354	41,7	6085

Sales office
 Plymovent AB
 Kopparbergsgatan 2
 SE-214 44 MALMÖ
 SWEDEN
 Tel: +46 40 30 31 30
 Fax: +46 40 30 31 40
 info@plymovent.se

USA
 Plymovent Corp.
 115 Melrich Road
 Cranbury, New Jersey 08512, USA
 Tel: +1 609 395 3500
 Fax: +1 609 655 0919

England
 Plymovent Ltd
 Marley Way, Southam Road
 Banbury, OX16 2RA, England
 Tel: +44 1295 25 93 11
 Fax: +44 1295 27 17 50
 info@plymovent.ca

Canada
 Plymovent Inc
 24- 1200 Aerowood Dr
 Mississauga, On L4W 2S7, Canada
 Tel: +1 (905) 564-4748
 Fax: +1 (905) 564-4609
 info@plymovent.ca