

## KUA-200

### FLEXIBLE EXTRACTION ARM

The KUA-200 is a flexible extraction arm with an external middle hinge. The removable hood has a safety mesh. The arm is fitted with a sealed shut-off & control valve and is 360° rotatable.

The KUA-200 arm is available in three different types:

- type **H**: for hanging mounting (wall bracket included)
- type **S**: for standing mounting (future development)
- type **ATEX**: approved for use in explosive environments Zone 22; marking EX II 3D (for hanging mounting only)



### APPLICATIONS

The KUA-200 is intended to be used for the following applications:



- MIG-MAG/GMAW welding
- TIG welding
- FCAW welding
- stick/MMAW welding
- grinding
- polishing
- finishing

### SPECIFICATIONS

#### Physical dimensions and properties

Diameter:	<ul style="list-style-type: none"> <li>• tubes</li> <li>• hood opening</li> </ul>	<ul style="list-style-type: none"> <li>• Ø 200 mm (7.9 in.)</li> <li>• Ø 340 mm (13.4 in.)</li> </ul>
Material of tubes	aluminium	
Colour:	<ul style="list-style-type: none"> <li>• tubes</li> <li>• hoses</li> </ul>	<ul style="list-style-type: none"> <li>• yellow RAL 1004</li> <li>• black</li> </ul>

#### Performance

Recommended airflow max. 1600 m<sup>3</sup>/h (940 CFM)

#### Ambient and process conditions

Process temperature:	<ul style="list-style-type: none"> <li>• min.</li> <li>• nom.</li> <li>• max.</li> </ul>	<ul style="list-style-type: none"> <li>• 5°C (41°F)</li> <li>• 20°C (68°F)</li> <li>• 70°C (158°F)</li> </ul>
Max. relative humidity	90%	
Outdoor use allowed	no	
Storage conditions	<ul style="list-style-type: none"> <li>• 5-45°C (41-113°F)</li> <li>• relative humidity max. 90%</li> </ul>	

#### Options and accessories

LL-5.5/24-200	manual on/off switch, incl. LED working light
Arm-fan adapter KUA-FUA	for connection of fan type FUA-1800/ 2100/3000

#### Product combinations

##### KUA-200/3H | 4H (incl. ATEX versions)

FUA-1800   FUA-2100   FUA-3000	extraction fan
FlexMax: FM-15/200   FM-25/200   FM-35/200   FM-45/200	extension crane
PA-110/200   PA-220/200	stanchion

### Scope of supply

- H types: extraction arm (in parts) – Wall bracket
- S types: extraction arm (in parts)

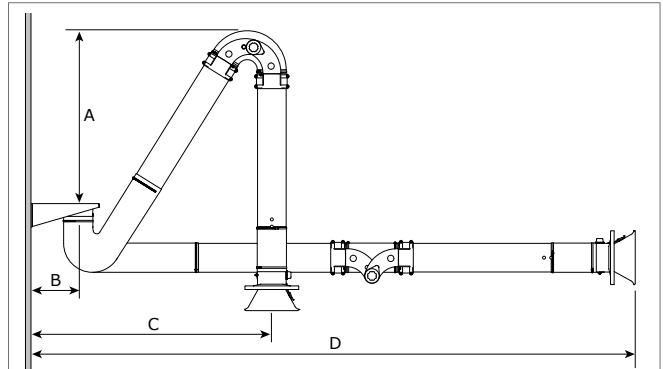
### Order information

Number/package 1

### Shipping data

Harmonized Tariff Code 84219990

### WORKING REACH

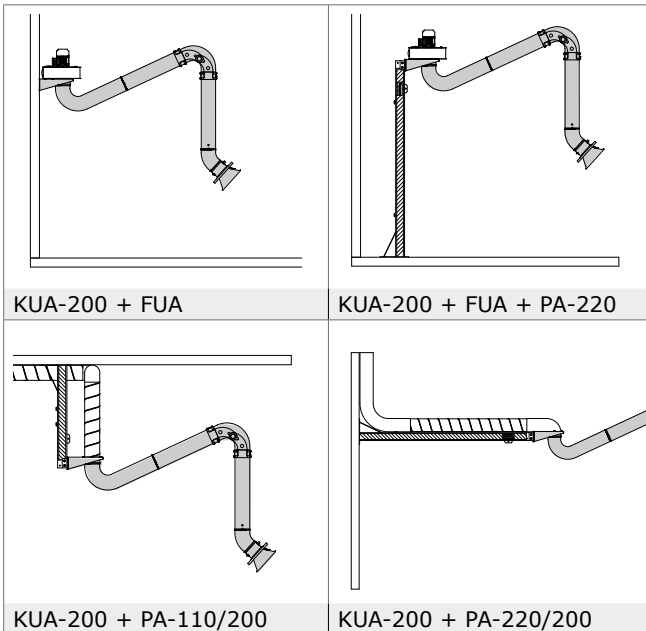


	KUA-200/3H		KUA-200/4H	
	mm	ft	mm	ft
<b>A</b>	1150	3.8	1450	4.8
<b>B</b>	345	1.1	345	1.1
<b>C</b>	min. 1450	min. 4.8	min. 1620	min. 5.3
<b>D</b>	max. 3440	max. 11.3	max. 4130	max. 13.5

## Remaining specifications

Type	KUA-200/3H	KUA-200/4H	KUA-200/3H ATEX	KUA-200/4H ATEX	KUA-200/3S	KUA-200/4S
			Extraction arm in accordance with: TRGS 727 & ATEX directive 94/9/EC			
<b>■ Physical dimensions and properties</b>						
Material of hoses	PVC with spring steel wire		polyethylene with copper coated spring steel wire		PVC with spring steel wire	
Length	3 m (9.8 ft)	4 m (13.1 ft)	3 m (9.8 ft)	4 m (13.1 ft)	3 m (9.8 ft)	4 m (13.1 ft)
Weight (net)	36 kg (79 lbs.)	37 kg (82 lbs.)	39 kg (86 lbs.)	41 kg (90 lbs.)	27 kg (60 lbs.)	28 kg (62 lbs.)
<b>■ Order information</b>						
Art. no.	0000112775	0000112776	0000113756	0000113757	0000112877	0000112878
<b>■ Shipping data</b>						
Gross weight	42 kg (93 lbs.)	43 kg (95 lbs.)	41 kg (90 lbs.)	43 kg (95 lbs.)	33 kg (73 lbs.)	34 kg (75 lbs.)
Packing dimensions	1740 x 355 x 660 mm (68.5x14x26 in.)	2085 x 355 x 660 mm (82x14x26 in.)	1740 x 355 x 660 mm (68.5x14x26 in.)	2085 x 355 x 660 mm (82x14x26 in.)	1740 x 355 x 660 mm (68.5x14x26 in.)	2085 x 355 x 660 mm (82x14x26 in.)

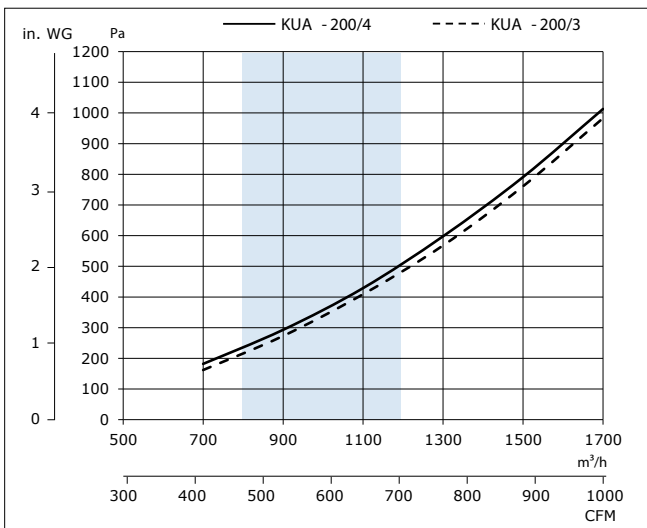
## MOUNTING POSSIBILITIES "H" TYPES



## FEATURES & BENEFITS



## PRESSURE DROP



**Application restrictions**

Do **not** use the product for the following applications or in the following circumstances: polishing applications in combination with grinding, welding or any other application that generate sparks (fibres from polishing or abrasive flap disks are highly flammable and pose a high risk of filter fires when exposed to sparks) | aluminium laser cutting | oil mist | heavy oil mist in welding fume | arc-air gouging | extraction of aggressive fumes and gases (e.g. from acids, from alkaline, from soldering paste containing lithium) | extraction of hot gases (more than 70°C/158°F continuously) | grinding aluminum and magnesium | flame spraying | extraction of cement, saw dust, wood dust etc. | sucking cigarettes, cigars, oiled tissues and other burning particles, objects and acids | explosive environments or explosive substances/gases

Product type	<b>KUA-200</b>
Article no.	<i>refer to Order information</i>
Product category	extraction arms
Version	310818/F

Always check the latest version on [www.plymovent.com](http://www.plymovent.com)