

## BIG VISION & BIG VISION AIR

When grinding, flying particles can get behind goggles and into your eyes. Our Big Vision grinding visor offers full protection for eyes and face with an unrestricted view.

Big Vision Air is suitable for the use with Böhler fresh air systems for additional protection of the airways.

### Big Vision



#### Product Features

- » Grinding visor in a matt black finish
- » High impact- and heat-resistant nylon shell
- » Easy to adjust comfort-headgear with sweatband
- » Clear lens with a wide viewing area of 180 x 160 mm
- » Light weight (370 g)

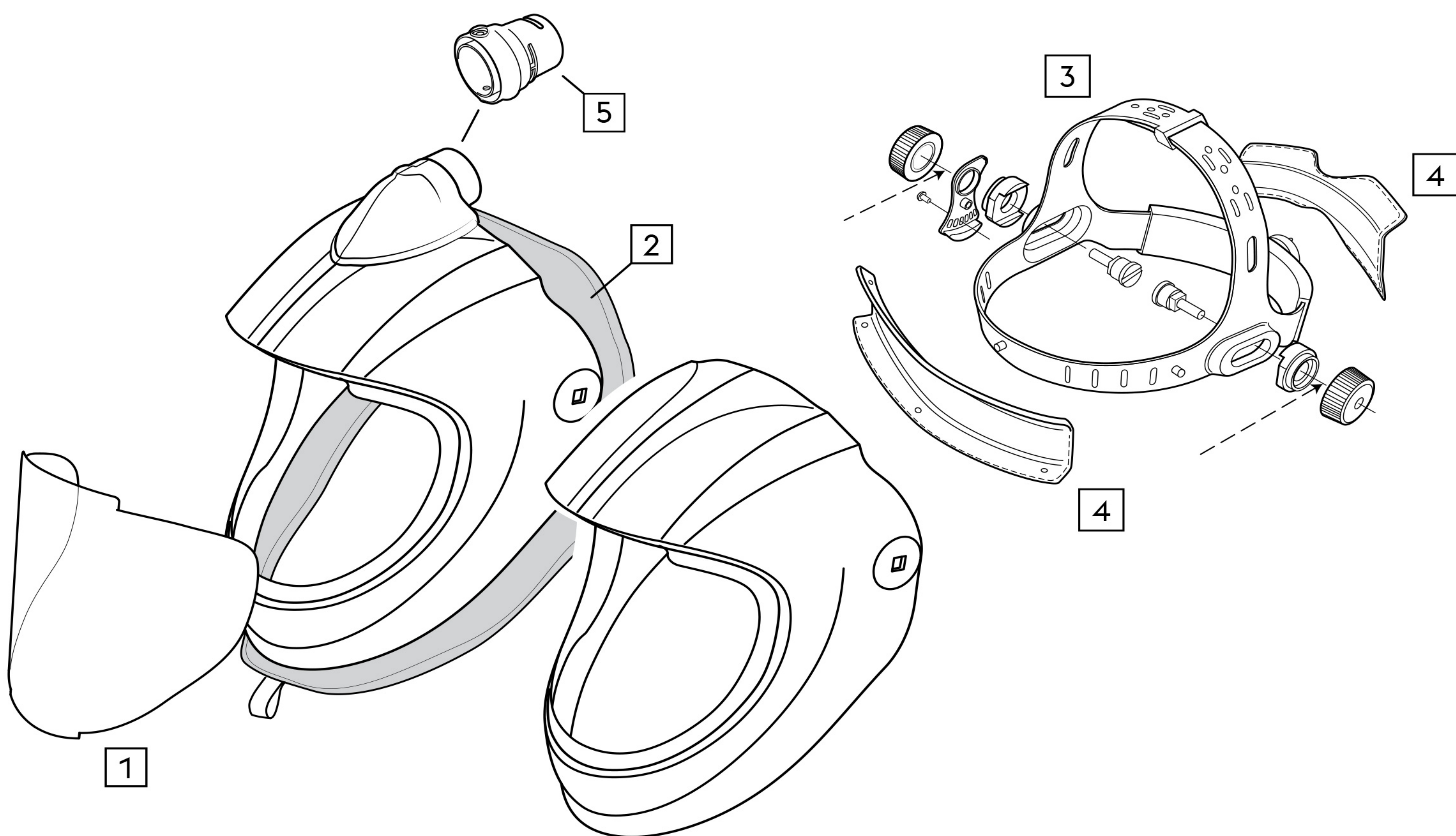
### Big Vision Air



#### Product Features

- » Grinding visor prepared for air in glossy blue finish
- » Uniform Böhler Welding air duct connector for all Böhler fresh air systems
- » High impact- and heat-resistant nylon shell
- » Easy to adjust comfort-headgear with sweatband
- » Clear lens with a wide viewing area of 180 x 160 mm
- » Weight (545 g incl. face-seal)
- » Certified in combination with Guardian Air and Supplied Air

# SPARE PARTS



## Spare Parts:

No.	Art. No.	Article Name
1	73287	Grinding screen (2 pieces)
2	57182	Face-seal
3	32406	Headgear Böhler
4	32416	Sweatband (front and rear)
5	87143	Air duct (on head top)