

Key Plant Adjust-O-Stands are a great extension on the light duty pipe stands and can carry a much bigger load than any other product available on the market. Adjust-O-Stands safely hold big pipe diameters and are full height adjustable.

Heavy-duty solid acme rod for durable, yet precise adjustment under load.

Adjust-O-Stand LP (Low Profile)

PRODUCT
UPGRADE

Specification Model: KP-AOS-LP

Load Capacity	7000lb (3175kg)
Pipe Diameter Range	2" (50mm) - 48" (1220mm)
Operational Height	24" (600mm) - 36" (900mm)
Weight	138lb (62.5kg)



Adjust-O-Stand HP (High Profile)

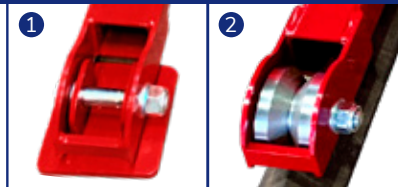
Specification Model: KP-AOS-HP

Load Capacity	4000lb (1800kg)
Pipe Diameter Range	2" (50mm) - 48" (1220mm)
Operational Height	38" (965mm) - 63" (1600mm)
Weight	165lb (75kg)



Options

- Stationery Self-Levelling Feet ①
- Traversing Rail Mount Bogie Wheels ②
Wheel centre points width: 26" (670mm)
- Swivel Castor Kit with Brakes



AOS Conveyor Pipe Stand

NEW
PRODUCT

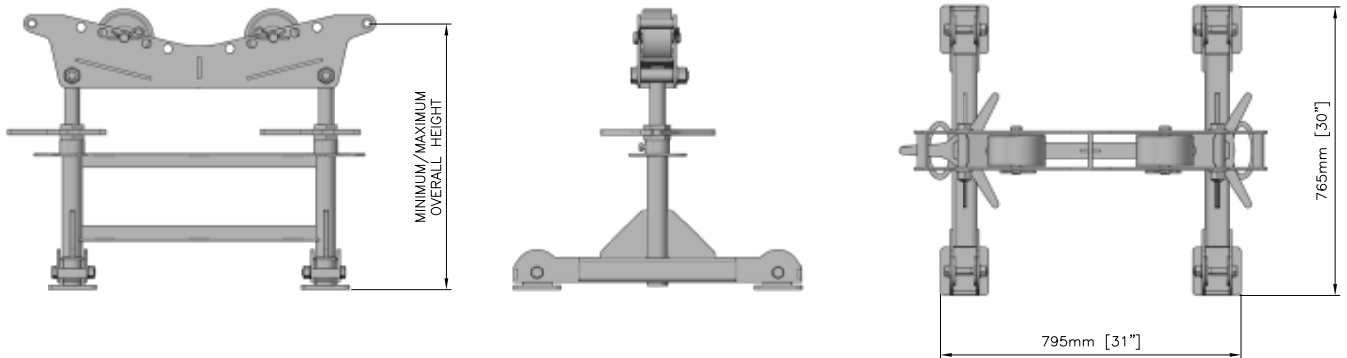
Introducing the new Key Plant AOS conveyor pipe stand, a modified extension on our Adjust-O-Stand range. The AOS conveyor is a perfect solution for easily feeding long pipes down a line, whilst working on site.

Specification Model: KP-AOS-CVLP Model: KP-AOS-CVHP

Load Capacity	7000lb (3175kg)	4000lb (1800kg)
Pipe Diameter Range	3" (76.2mm) - 48" (1220mm)	3" (76.2mm) - 48" (1220mm)
Operational Height	24" (600mm) - 36" (900mm)	38" (965mm) - 63" (1600mm)
Weight	138lb (62.5kg)	165lb (75kg)



Adjust-O-Stand LP



Adjust-O-Stand HP

