

SPEEDTEC

405S, 405SP, 505S & 505SP

OPERATOR'S MANUAL



ENGLISH

LINCOLN[®]
ELECTRIC

Lincoln Electric Bester Sp. z o.o.
ul. Jana III Sobieskiego 19A, 58-263 Bielawa, Poland
www.lincolnelectric.eu



THANKS! For having chosen the QUALITY of the Lincoln Electric products.

- Please Examine Package and Equipment for Damage. Claims for material damaged in shipment must be notified immediately to the dealer.
- For future reference record in the table below your equipment identification information. Model Name, Code & Serial Number can be found on the machine rating plate.

Model Name:
Code & Serial number:
Date & Where Purchased:

ENGLISH INDEX

Technical Specifications	1
Electromagnetic Compatibility (EMC)	3
Safety	4
Intoduction	5
Installation and Operator Instructions	5
WEEE	10
Spare Parts	10
Authorized Service Shops Location	10
Electrical Schematic	10
Accessories Suggested	10

Technical Specifications

NAME		INDEX				
SPEEDTEC 405S		K14117-1				
SPEEDTEC 405SP		K14117-2				
SPEEDTEC 505S		K14116-1				
SPEEDTEC 505SP		K14116-2				
SPEEDTEC 405SP		K14117-6				
SPEEDTEC 505SP		K14116-6				
INPUT						
405S, 405SP	Input Voltage U ₁	EMC Class		Frequency		
	400V ± 10% 3-phase	A		50/60Hz		
505S, 505SP						
405S, 405SP	Input Power at Rated Cycle	Input Amperes I _{1max}		PF		
	19,1 kVA @ 80% Duty Cycle (40°C)	27,6A		0,95		
505S, 505SP	26,1 kVA @ 60% Duty Cycle (40°C)	37,7A		0,93		
RATED OUTPUT						
405S, 405SP	GMAW	Open Circuit Voltage 60Vdc	Duty Cycle 40°C (based on a 10 min.	Output Current	Output Voltage	
			80%	400A	34Vdc	
	FCAW	60Vdc	100%	390A	33,5Vdc	
			80%	400A	34Vdc	
	SMAW	60Vdc	100%	390A	33,5Vdc	
			80%	400A	36Vdc	
	GTAW	60Vdc	100%	390A	35,6Vdc	
			80%	400A	26Vdc	
	505S, 505SP	GMAW	60Vdc	100%	390A	25,6Vdc
				60%	500A	39Vdc
FCAW		60Vdc	100%	390A	33,5Vdc	
			60%	500A	39Vdc	
SMAW		60Vdc	100%	390A	33,5Vdc	
			60%	500A	40Vdc	
GTAW		60Vdc	100%	390A	35,6Vdc	
			60%	500A	30Vdc	
100%	390A	25,6Vdc				
WELDING CURRENT RANGE						
405S, 405SP	GMAW	FCAW	SMAW	GTAW		
	20A÷400A	20A÷400A	5A÷400A	5A÷400A		
505S, 505SP	20A÷500A	20A÷500A	5A÷500A	5A÷500A		
RECOMMENDED INPUT CABLE AND FUSE SIZES						
405S, 405SP	Fuse Type gR or Circuit Breaker Type Z		Power Lead			
	400V					
	32A		4 Conductor, 4mm ² , Do not exist for K14117-6			
505S, 505SP	32A		4 Conductor, 4mm ² , Do not exist for K14116-6			

DIMENSION				
	Weight	Height	Width	Length
405S, 405SP	50 kg	535 mm	300 mm	635 mm
505S, 505SP	50 kg	535 mm	300 mm	635 mm
Protection Rating	Operating Humidity (t=20°C)	Operating Temperature	Storage Temperature	
IP23	≤ 90 %	from -10 °C to +40 °C	from -25 °C to +55 °C	

Electromagnetic Compatibility (EMC)

01/11

This machine has been designed in accordance with all relevant directives and standards. However, it may still generate electromagnetic disturbances that can affect other systems like telecommunications (telephone, radio, and television) or other safety systems. These disturbances can cause safety problems in the affected systems. Read and understand this section to eliminate or reduce the amount of electromagnetic disturbance generated by this machine.



This machine has been designed to operate in an industrial area. The operator must install and operate this equipment as described in this manual. If any electromagnetic disturbances are detected the operator must put in place corrective actions to eliminate these disturbances with, if necessary, assistance from Lincoln Electric.

Before installing the machine, the operator must check the work area for any devices that may malfunction because of electromagnetic disturbances. Consider the following.

- Input and output cables, control cables, and telephone cables that are in or adjacent to the work area and the machine.
- Radio and/or television transmitters and receivers. Computers or computer controlled equipment.
- Safety and control equipment for industrial processes. Equipment for calibration and measurement.
- Personal medical devices like pacemakers and hearing aids.
- Check the electromagnetic immunity for equipment operating in or near the work area. The operator must be sure that all equipment in the area is compatible. This may require additional protection measures.
- The dimensions of the work area to consider will depend on the construction of the area and other activities that are taking place.

Consider the following guidelines to reduce electromagnetic emissions from the machine.

- Connect the machine to the input supply according to this manual. If disturbances occur it may be necessary to take additional precautions such as filtering the input supply.
- The output cables should be kept as short as possible and should be positioned together. If possible connect the work piece to ground in order to reduce the electromagnetic emissions. The operator must check that connecting the work piece to ground does not cause problems or unsafe operating conditions for personnel and equipment.
- Shielding of cables in the work area can reduce electromagnetic emissions. This may be necessary for special applications.

WARNING

EMC classification of this product is class A in accordance with electromagnetic compatibility standard EN 60974-10 and therefore the product is designed to be used in an industrial environment only.

WARNING

The Class A equipment is not intended for use in residential locations where the electrical power is provided by the public low-voltage supply system. There can be potential difficulties in ensuring electromagnetic compatibility in those locations, due to conducted as well as radio-frequency disturbances.







WARNING

This equipment must be used by qualified personnel. Be sure that all installation, operation, maintenance and repair procedures are performed only by qualified person. Read and understand this manual before operating this equipment. Failure to follow the instructions in this manual could cause serious personal injury, loss of life, or damage to this equipment. Read and understand the following explanations of the warning symbols. Lincoln Electric is not responsible for damages caused by improper installation, improper care or abnormal operation.

	<p>WARNING: This symbol indicates that instructions must be followed to avoid serious personal injury, loss of life, or damage to this equipment. Protect yourself and others from possible serious injury or death.</p>
	<p>READ AND UNDERSTAND INSTRUCTIONS: Read and understand this manual before operating this equipment. Arc welding can be hazardous. Failure to follow the instructions in this manual could cause serious personal injury, loss of life, or damage to this equipment.</p>
	<p>ELECTRIC SHOCK CAN KILL: Welding equipment generates high voltages. Do not touch the electrode, work clamp, or connected work pieces when this equipment is on. Insulate yourself from the electrode, work clamp and connected work pieces.</p>
	<p>ELECTRICALLY POWERED EQUIPMENT: Turn off input power using the disconnect switch at the fuse box before working on this equipment. Ground this equipment in accordance with local electrical regulations.</p>
	<p>ELECTRICALLY POWERED EQUIPMENT: Regularly inspect the input, electrode, and work clamp cables. If any insulation damage exists replace the cable immediately. Do not place the electrode holder directly on the welding table or any other surface in contact with the work clamp to avoid the risk of accidental arc ignition.</p>
	<p>ELECTRIC AND MAGNETIC FIELDS MAY BE DANGEROUS: Electric current flowing through any conductor creates electric and magnetic fields (EMF). EMF fields may interfere with some pacemakers and welders having a pacemaker shall consult their physician before operating this equipment.</p>
	<p>CE COMPLIANCE: This equipment complies with the European Community Directives.</p>
	<p>ARTIFICIAL OPTICAL RADIATION: According with the requirements in 2006/25/EC Directive and EN 12198 Standard, the equipment is a category 2. It makes mandatory the adoption of Personal Protective Equipment (PPE) having filter with a protection degree up to a maximum of 15, as required by EN169 Standard.</p>
	<p>FUMES AND GASES CAN BE DANGEROUS: Welding may produce fumes and gases hazardous to health. Avoid breathing these fumes and gases. To avoid these dangers the operator must use enough ventilation or exhaust to keep fumes and gases away from the breathing zone.</p>
	<p>ARC RAYS CAN BURN: Use a shield with the proper filter and cover plates to protect your eyes from sparks and the rays of the arc when welding or observing. Use suitable clothing made from durable flame-resistant material to protect you skin and that of your helpers. Protect other nearby personnel with suitable, non-flammable screening and warn them not to watch the arc nor expose themselves to the arc.</p>
	<p>WELDING SPARKS CAN CAUSE FIRE OR EXPLOSION: Remove fire hazards from the welding area and have a fire extinguisher readily available. Welding sparks and hot materials from the welding process can easily go through small cracks and openings to adjacent areas. Do not weld on any tanks, drums, containers, or material until the proper steps have been taken to insure that no flammable or toxic vapors will be present. Never operate this equipment when flammable gases, vapors or liquid combustibles are present.</p>
	<p>WELDED MATERIALS CAN BURN: Welding generates a large amount of heat. Hot surfaces and materials in work area can cause serious burns. Use gloves and pliers when touching or moving materials in the work area.</p>
	<p>CYLINDER MAY EXPLODE IF DAMAGED: Use only compressed gas cylinders containing the correct shielding gas for the process used and properly operating regulators designed for the gas and pressure used. Always keep cylinders in an upright position securely chained to a fixed support. Do not move or transport gas cylinders with the protection cap removed. Do not allow the electrode, electrode holder, work clamp or any other electrically live part to touch a gas cylinder. Gas cylinders must be located away from areas where they may be subjected to physical damage or the welding process including sparks and heat sources.</p>

	<p>MOVING PARTS ARE DANGEROUS: There are moving mechanical parts in this machine, which can cause serious injury. Keep your hands, body and clothing away from those parts during machine starting, operating and servicing.</p>
	<p>SAFETY MARK: This equipment is suitable for supplying power for welding operations carried out in an environment with increased hazard of electric shock.</p>

The manufacturer reserves the right to make changes and/or improvements in design without upgrade at the same time the operator's manual.

Introduction

SPEEDTEC 405S, 405SP, 505S and 505SP inverter sources have been designed to work with wire feeders **PF24, PF40, PF42, PF44, PF46, LF45, LF45S**. For communication, inverter source-wire feeder is using ArcLink® protocol.

Inverter source-wire feed configuration allows the welding:

- GMAW (MIG/MAG)
- FCAW-GS / FCAW-SS
- SMAW (MMA)
- GTAW (arc ignition using lift TIG).

SPEEDTEC 405S, 405SP, 505S and 505SP work with the water cooler **COOLARC 46**.

The complete packaging includes the following items:

- Inverter source
- DVD with Operator's Manual
- Work lead - 3m
- Slow-blow fuse – 2A (2 units)
- Slow-blow fuse – 6,3A (1 unit)
- Slow –blow fuse – 12.5A (1 unit).

Recommended equipment, which can be bought by user, was mentioned in the chapter "Accessories".

Installation and Operator Instructions

Read this entire section before installation or operation of the machine.

Location and Environment

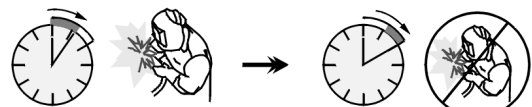
This machine will operate in harsh environments. However, it is important that simple preventative measures are followed to assure long life and reliable operation.

- Do not place or operate this machine on a surface with an incline greater than 15° from horizontal.
- Do not use this machine for pipe thawing.
- This machine must be located where there is free circulation of clean air without restrictions for air movement to and from the air vents. Do not cover the machine with paper, cloth or rags when switched on.
- Dirt and dust that can be drawn into the machine should be kept to a minimum.
- This machine has a protection rating of IP23. Keep it dry when possible and do not place it on wet ground or in puddles.
- Locate the machine away from radio controlled machinery. Normal operation may adversely affect the operation of nearby radio controlled machinery, which may result in injury or equipment damage. Read the section on electromagnetic compatibility in this manual.
- Do not operate in areas with an ambient temperature greater than 40°C.

Duty cycle and Overheating

The duty cycle of a welding machine is the percentage of time in a 10 minute cycle at which the welder can operate the machine at rated welding current.

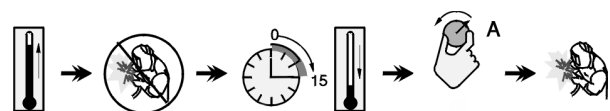
Example: 60% duty cycle



Welding for 6 minutes.

Break for 4 minutes.

Excessive extension of the duty cycle will cause the thermal protection circuit to activate.



Minutes

or decrease duty cycle

Input Supply Connection

WARNING

Only a qualified electrician can connect the welding machine to the supply network. Installation the outlet plug to power lead and connecting the welding machine had to be made in accordance with the appropriate National Electrical Code and local regulations.

Check the input voltage, phase, and frequency supplied to this machine before turning it on. Verify the connection of grounding wires from the machine to the input source. **SPEEDTEC 405S, 405SP, 505S and 505SP** can only be connected to a mating grounded receptacle.

Input voltages is 3x400V 50/60Hz. For more information about input supply refer to the technical specification section of this manual and to the rating plate of the machine.

Make sure that the amount of mains power available from the input supply is adequate for normal operation of the machine. The type of protection and cable sizes are indicated in the technical specification section of this manual.

WARNING

The welding machine can be supplied from a power generator of output power at least 30% larger than input power of the welding machine. See "Technical Specifications" chapter.

WARNING

When powering welder from a generator be sure to turn off welding machine first, before generator is shut down, in order to prevent damage to welding machine!

Refer to points [1], and [8] of the images below.

Output Connections

Refer to points [5], [6] and [7] of the Figures below.

Controls and Operational Features

1. Power Switch ON/OFF (I/O): Controls the input power. Be sure the power source is properly connected to the mains supply before turning power on ("I").



2. Status Light: A two color light that indicates system errors. Normal operation is steady green light. Error conditions are indicated, per Table 1.

NOTE: The status light will flash green, and sometimes red and green, for up to one minute when the machine is first turned on. When the power source is powered it can take as long as 60 seconds for the machine to be ready to weld. This is a normal situation as the machine goes through initialization.

Table 1.

LED Light Condition	Meaning
	Only machines which using ArcLink® protocol for communication
Steady Green	System OK. Power source is operational, and is communicating normally with all healthy peripheral equipment.
Blinking Green	Occurs during power up or a system reset, and indicates the power source is mapping (identifying) each component in the system. Normal for first 1-10 seconds after power is turned on, or if the system configuration is changed during operation.
Alternating Green and Red	<p>If the status lights are flashing any combination of red and green, errors are present in the power source.</p> <p>Individual code digits are flashed in red with a long pause between digits. If more than one code is present, the codes will be separated by green light. Read the error code before the machine is turned off.</p> <p>If occurs, to clear the error try to turn Off the machine, wait for a few seconds, then turn ON again. If the error remains, a maintenance is required. Please contact the nearest authorized technical service center or Lincoln Electric and report the error code read.</p>
Steady Red	Indicate no communication between the power source and device which has been connected to this power source.



3. Thermal Overload Indicator: It indicates that the machine is overloaded or that the cooling is not sufficient.

4. Replaceable Panel: User Interface can be installed, in place of the replaceable panel, which allows to adjust the welding parameters from the power source. Panel with User Interface Kit can be purchased separately (see "Accessories" chapter).



5. Negative Output Socket for the Welding Circuit: Depending on the configuration of power source, for connecting a work lead, the electrode holder with lead or the source/wire feeder welding cable.



6. Positive Output Socket for the Welding Circuit: Depending on the configuration of power source, for connecting a work lead, the electrode holder with lead or the source/wire feeder welding cable..



7. Control Receptacle: 5 pins receptacle for wire feeder or remote controller connection. To communication wire feeder or remote controller with power source is used ArcLink® protocol.

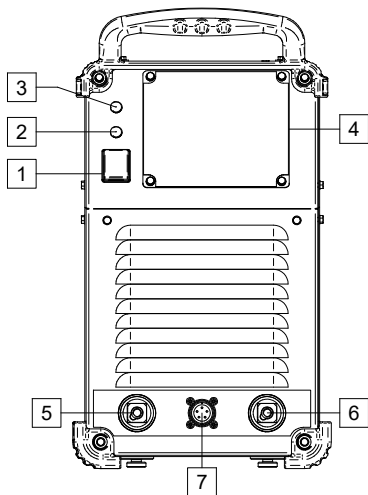


Figure 1.

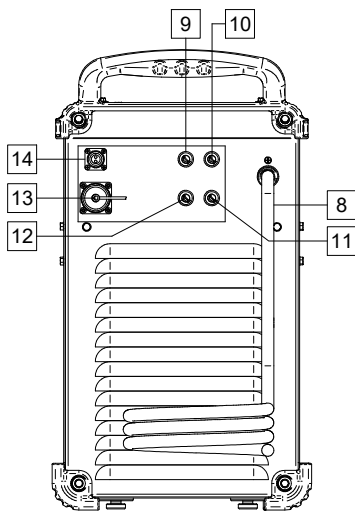


Figure 2.

8. **Power lead (5m):** Connect the supply plug to the existing input cable that is rated for the machine as indicated in this manual, and conforms to all applicable standards. This connection shall be performed by a qualified person only.
9. **Fuse F3:** Use the 12,5A/400V (6,3x32mm) slow-blow fuse. See "Spare Parts" chapter.
10. **Fuse F4:** Use the 6,3A/400V (6,3x32mm) slow-blow fuse. See "Spare Parts" chapter.
11. **Fuse F2:** Use the 2A/400V (6,3x32mm) slow-blow fuse. See "Spare Parts" chapter.
12. **Fuse F1:** Use the 2A/400V (6,3x32mm) slow-blow fuse. See "Spare Parts" chapter.



13. **Cooler Power Supply Socket:** Socket supplies 400VAC for power circuit cooler. The circuit is protected by a slow-blow fuse [12].



WARNING

Read and understand the cooler manual before connecting it to the machine.

14. **Gas Heater Socket:** $U_{sup} = 24VAC$, $P_{max} = 80W$.

User Interface

User Interface can be installed, in place of the replaceable panel [4], which allows to adjust the welding parameters from the power source. Panel with User Interface Kit can be purchased separately (see "Accessories" chapter).

Description of the User Interface is available in the operator's manual of wire feeder IM3028, IM3034, IM3045, IM3046, IM3052, IM3053 and the Guide supplied with a Replaceable Front Panel.

Welding Cables Connection

Insert the plug of the work lead into the socket [5]. The other end of this lead connects to the work piece with the work clamp.

Connect the wire feeder to the power source: Insert the positive welding cable into the output socket [6]. Insert the wire feeder control cable into the socket [7] (see "Accessories" chapter, Source/wire feeder cable K10349-PG-xM or K10349-PGW-xM).

Use the shortest possible cable lengths.

Water Cooler Connection

SPEEDTEC 405S, 405SP, 505S and 505SP work with the water cooler **COOLARC 46** (see "Accessories" chapter).



WARNING

Read and understand the cooler manual before connecting it to the power source. Before connecting cooler, refer to the manual of wire feeder.

The **COOLARC 46** is supplied by welding power source using 9-PIN socket. Input voltages is 400V, 50/60Hz. Make sure that the supply voltage of the unit matches the cooler's rated voltage.

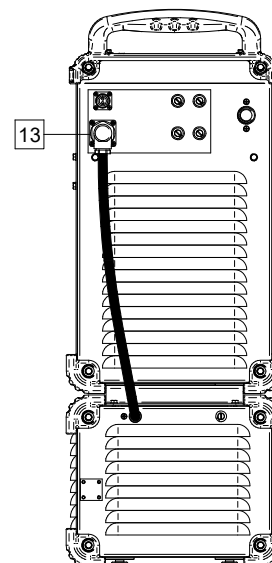


Figure 3.

To connect the water cooler **COOLARC 46** to the power source:

- Turn off the power source and disconnect input plug.
- Remove the cap from the Water Cooler Supply Socket.
- Insert 9-pin plug of the water cooler power lead into the Water Cooler Power Supply Socket [13].

! WARNING

Do not switch on the welding power source with the cooler applied if the reservoir was not filled and the torch's/gun's hoses are disconnected from the cooling unit. The no observance of this warning may be cause internal damages at the cooler unit.

User Interface Connection

To connect the User Interface to the power source:

- Unscrew the Replaceable Panel [4].

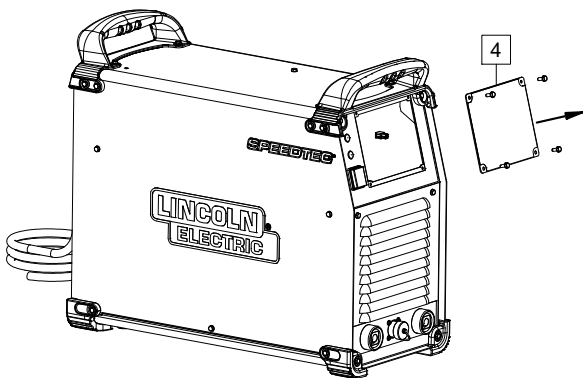


Figure 4.

- Connect the plug X8 of the power source with the socket X100 of the User Interface.

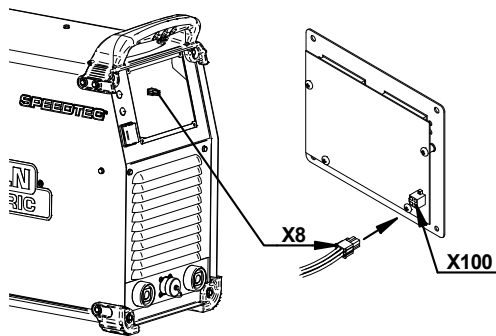


Figure 5.

- Screw down the User Interface to the power source.

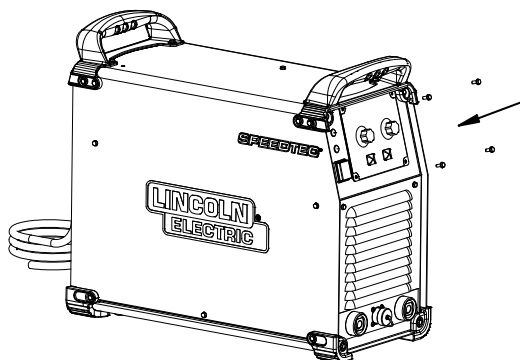


Figure 6.

Machine and Circuit Protection

Power Source is protected against overheating, overload and accidental short-circuits.

If the machine is overheated, the thermal protection circuit will decrease the output current to 0. The thermal protection indicator [3] will turn on.

The Power Source is also electronically protected against overload and accidental short-circuit. The overload and short-circuit protection circuit automatically reduces the output current to a safe value when it detects an overload.

Transport & Lifting



! WARNING

Falling equipment can cause injury and damage to unit.

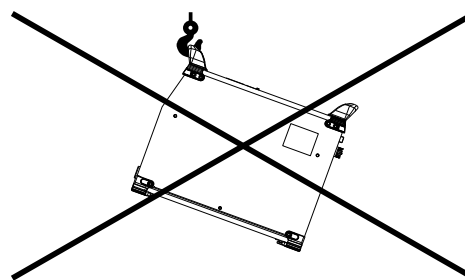
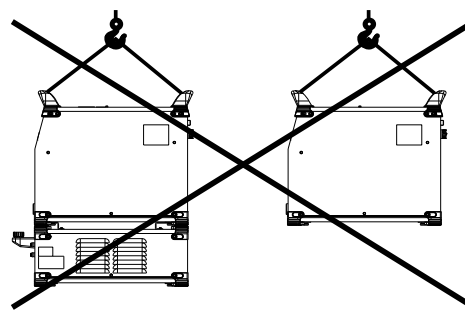
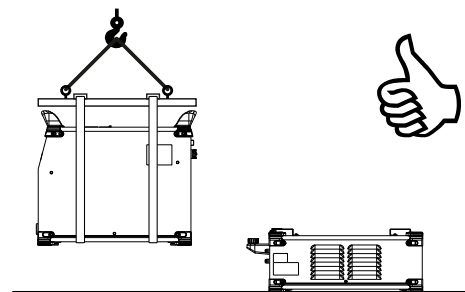


Figure 7.

During transportation and lifting with a crane, adhere to the following rules:

- Power source does not include the eye bolt which can be used to transport or lifting the machine.
- To lift use of suitable lifting equipment capacity.
- To lifting and transport use a travers and minimum two belts.
- Lift only power source without gas cylinder, cooler and wire feeder, or/and any other accessories.

Maintenance

WARNING

For any repair operations, modifications or maintenances, it is recommended to contact the nearest Technical Service Center or Lincoln Electric. Repairs and modifications performed by unauthorized service or personnel will cause, that the manufacturer's warranty will become null and void.

Any noticeable damage should be reported immediately and repaired.

Routine maintenance (everyday)

- Check condition of insulation and connections of the work leads and insulation of power lead. If any insulation damage exists replace the lead immediately.
- Remove the spatters from the welding gun nozzle. Spatters could interfere with the shielding gas flow to the arc.
- Check the welding gun condition: replace it, if necessary.
- Check condition and operation of the cooling fan. Keep clean its airflow slots.

Periodic maintenance (every 200 working hours but at list once every year)

Perform the routine maintenance and, in addition:

- Keep the machine clean. Using a dry (and low pressure) airflow, remove the dust from the external case and from the cabinet inside.
- If it is required, clean and tighten all weld terminals.

The frequency of the maintenance operations may vary in accordance with the working environment where the machine is placed.

WARNING

Do not touch electrically live parts.

WARNING

Before the case of welding machine will be removed, the welding machine had to be turned off and the power lead had to be disconnected from mains socket.

WARNING

Mains supply network must be disconnected from the machine before each maintenance and service. After each repair, perform proper tests to ensure safety.

Customer Assistance Policy

The business of The Lincoln Electric Company is manufacturing and selling high quality welding equipment, consumables, and cutting equipment. Our challenge is to meet the needs of our customers and to exceed their expectations. On occasion, purchasers may ask Lincoln Electric for advice or information about their use of our products. We respond to our customers based on the best information in our possession at that time. Lincoln Electric is not in a position to warrant or guarantee such advice, and assumes no liability, with respect to such information or advice. We expressly disclaim any warranty of any kind, including any warranty of fitness for any customer's particular purpose, with respect to such information or advice. As a matter of practical consideration, we also cannot assume any responsibility for updating or correcting any such information or advice once it has been given, nor does the provision of information or advice create, expand or alter any warranty with respect to the sale of our products.

Lincoln Electric is a responsive manufacturer, but the selection and use of specific products sold by Lincoln Electric is solely within the control of, and remains the sole responsibility of the customer. Many variables beyond the control of Lincoln Electric affect the results obtained in applying these types of fabrication methods and service requirements.

Subject to Change – This information is accurate to the best of our knowledge at the time of printing. Please refer to www.lincolnelectric.com for any updated information.

WEEE

07/06

English



Do not dispose of electrical equipment together with normal waste!

In observance of European Directive 2012/19/EC on Waste Electrical and Electronic Equipment (WEEE) and its implementation in accordance with national law, electrical equipment that has reached the end of its life must be collected separately and returned to an environmentally compatible recycling facility. As the owner of the equipment, you should get information on approved collection systems from our local representative.

By applying this European Directive you will protect the environment and human health!

Spare Parts

12/05

Part List reading instructions

- Do not use this part list for a machine if its code number is not listed. Contact the Lincoln Electric Service Department for any code number not listed.
- Use the illustration of assembly page and the table below to determine where the part is located for your particular code machine.
- Use only the parts marked "X" in the column under the heading number called for in the assembly page (# indicate a change in this printing).

First, read the Part List reading instructions above, then refer to the "Spare Part" manual supplied with the machine, that contains a picture-descriptive part number cross-reference.

Authorized Service Shops Location

09/16

- The purchaser must contact a Lincoln Authorized Service Facility (LASF) about any defect claimed under Lincoln's warranty period.
- Contact your local Lincoln Sales Representative for assistance in locating a LASF or go to www.lincolnelectric.com/en-gb/Support/Locator.

Electrical Schematic

Refer to the "Spare Part" manual supplied with the machine.

Accessories Suggested

K10349-PG-xxM	Source/wire feeder cable (gas). Available in 5, 10, 15m.
K10349-PGW-xxM	Source/wire feeder cable (gas and water). Available in 5, 10 or 15m.
K14033-1	Work Lead, 3m - GRD-600A-70-3M.
K14105-1	Cooler COOLARC 46.
K14096-1	SPEEDTEC CART.
K14072-1	LF45 – Digital Wire Feeder.
K14083-1	LF45S – Digital Wire Feeder.
K14106-1	PF40 – Digital Wire Feeder.
K14107-1	PF42 – Digital Wire Feeder.
K14108-1	PF44 – Digital Wire Feeder.
K14109-1	PF46 – Digital Wire Feeder.
K14110-1	PF24 – Digital Wire Feeder.
K14121-1	Replaceable Front Panel with User Interface, A+.
K14122-1	Replaceable Front Panel with User Interface, B.
K14123-1	Replaceable Front Panel with User Interface, B+.
K14124-1	Case of remote control (PENDANT).
K2429-1	ArcLink® "T" Connector Kit.