



OM-272476E

2017-04

Processes



Multiprocess Welding

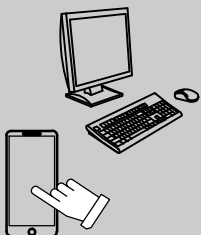
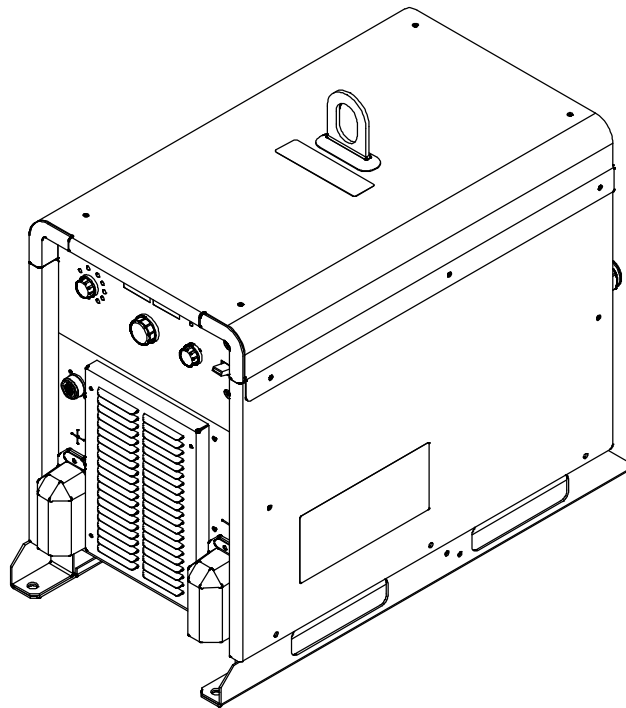
Description



Arc Welding Power Source

Dimension™ 650

CE



For product information,
Owner's Manual translations,
and more, visit

www.MillerWelds.com

OWNER'S MANUAL

File: MULTIPROCESS



From Miller to You

Thank you and congratulations on choosing Miller. Now you can get the job done and get it done right. We know you don't have time to do it any other way.

That's why when Niels Miller first started building arc welders in 1929, he made sure his products offered long-lasting value and superior quality. Like you, his customers couldn't afford anything less. Miller products had to be more than the best they could be. They had to be the best you could buy.

Today, the people that build and sell Miller products continue the tradition. They're just as committed to providing equipment and service that meets the high standards of quality and value established in 1929.

This Owner's Manual is designed to help you get the most out of your Miller products. Please take time to read the Safety precautions. They will help you protect yourself against potential hazards on the worksite.

We've made installation and operation quick and easy. With Miller you can count on years of reliable service with proper maintenance. And if for some reason the unit needs repair, there's a Troubleshooting section that will help you figure out what the problem is. The parts list will then help you to decide the exact part you may need to fix the problem. Warranty and service information for your particular model are also provided.



Miller is the first welding equipment manufacturer in the U.S.A. to be registered to the ISO 9001 Quality System Standard.

Miller Electric manufactures a full line of welders and welding related equipment. For information on other quality Miller products, contact your local Miller distributor to receive the latest full line catalog or individual specification sheets. **To locate your nearest distributor or service agency call 1-800-4-A-Miller, or visit us at www.MillerWelds.com on the web.**



Working as hard as you do – every power source from Miller is backed by the most hassle-free warranty in the business.



TABLE OF CONTENTS

SECTION 1 – SAFETY PRECAUTIONS - READ BEFORE USING	1
1-1. Symbol Usage	1
1-2. Arc Welding Hazards	1
1-3. Additional Symbols For Installation, Operation, And Maintenance	3
1-4. California Proposition 65 Warnings	4
1-5. Principal Safety Standards	4
1-6. EMF Information	4
SECTION 2 – CONSIGNES DE SÉCURITÉ – LIRE AVANT UTILISATION	5
2-1. Symboles utilisés	5
2-2. Dangers relatifs au soudage à l'arc	5
2-3. Dangers supplémentaires en relation avec l'installation, le fonctionnement et la maintenance	7
2-4. Proposition californienne 65 Avertissements	8
2-5. Principales normes de sécurité	8
2-6. Informations relatives aux CEM	8
SECTION 3 – DEFINITIONS	9
3-1. Additional Safety Symbols And Definitions	9
3-2. Miscellaneous Symbols And Definitions	11
SECTION 4 – SPECIFICATIONS	12
4-1. Features And Benefits	12
4-2. Arc Controls	12
4-3. Serial Number And Rating Label Location	12
4-4. Unit Specifications	12
4-5. Dimensions and Weight	13
4-6. Environmental Specifications	13
4-7. Duty Cycle and Overheating	14
4-8. Static Output Characteristics	14
SECTION 5 – INSTALLATION	15
5-1. Selecting A Location	15
5-2. Selecting Cable Sizes*	16
5-3. Weld Output Terminals	16
5-4. Connecting Weld Output Cables	17
5-5. Remote 14 Receptacle Information	17
5-6. Supplementary Protector	18
5-7. Electrical Service Guide	18
5-8. Connecting Input Power	20
SECTION 6 – GENERAL OPERATION	22
6-1. Front Panel	22
6-2. Mode Switch Settings	23
6-3. Optional Low Open Circuit Voltage (OCV) Welding Modes	23
6-4. Alternate Configuration Functions	24
SECTION 7 – GTAW OPERATION	25
7-1. Typical Connection For GTAW Process	25
7-2. GTAW - TIG Remote Welding Mode	26
7-3. GTAW - Lift-Arc TIG Output-On Welding Mode	27

TABLE OF CONTENTS

SECTION 8 – GMAW/FCAW OPERATION	28
8-1. Typical Connection For Remote Control Feeder GMAW/FCAW Process	28
8-2. GMAW/FCAW - Remote Welding Mode	29
8-3. Typical Connection For Voltage-Sensing Feeder GMAW/FCAW Process	30
8-4. GMAW/FCAW - (Gas) Output-On Welding Mode	31
8-5. FCAW-S (No Gas) Output-On Welding Mode	32
SECTION 9 – SMAW/CAC-A OPERATION	33
9-1. Typical Connection For SMAW And CAC-A Process	33
9-2. SMAW - Stick Remote Welding Mode	34
9-3. SMAW - Stick Output-On Welding Mode	35
9-4. CAC-A - Gouge Output-On Mode	36
SECTION 10 – SAW OPERATION	37
10-1. Typical Connection For SAW Process	37
10-2. SAW - Subarc Remote Welding Mode	38
SECTION 11 – MAINTENANCE & TROUBLESHOOTING	39
11-1. Routine Maintenance	39
11-2. Blowing Out Inside Of Unit	39
11-3. Help Displays	40
11-4. Troubleshooting	41
SECTION 12 – ELECTRICAL DIAGRAMS	42
SECTION 13 – PARTS LIST	44
WARRANTY	



DECLARATION OF CONFORMITY

for European Community (CE marked) products.

MILLER Electric Mfg. Co., 1635 Spencer Street, Appleton, WI 54914 U.S.A. declares that the product(s) identified in this declaration conform to the essential requirements and provisions of the stated Council Directive(s) and Standard(s).

Product/Apparatus Identification:

Product	Stock Number
Dimension 650 380/400V CE	907618

Council Directives:

- 2014/35/EU Low voltage
- 2014/30/EU Electromagnetic compatibility
- 2011/65/EU Restriction of the use of certain hazardous substances in electrical and electronic equipment

Standards:

- IEC 60974-1:2012 Arc welding equipment – Part 1: Welding power sources
- IEC 60974-10:2014 Arc welding equipment – Part 10: Electromagnetic compatibility requirements

Signatory:

April 6, 2017

David A. Werba

MANAGER, PRODUCT DESIGN COMPLIANCE

Date of Declaration

EMF DATA SHEET FOR ARC WELDING POWER SOURCE



Product/Apparatus Identification

Product	Stock Number
DIMENSION 650 380/400V 50/60HZ CE	907618

Compliance Information Summary

Applicable regulation Directive 2014/35/EU

Reference limits Directive 2013/35/EU, Recommendation 1999/519/EC

Applicable standards IEC 62822-1:2016, IEC 62822-2:2016

Intended use for occupational use for use by laymen

Non-thermal effects need to be considered for workplace assessment YES NO

Thermal effects need to be considered for workplace assessment YES NO

Data is based on maximum power source capability (valid unless firmware/hardware is changed)

Data is based on worst case setting/program (only valid until setting options/welding programs are changed)

Data is based on multiple settings/programs (only valid until setting options/welding programs are changed)

Occupational exposure is below the Exposure Limit Values (ELVs) for health effects at the standardized configurations YES NO
(if NO, specific required minimum distances apply)

Occupational exposure is below the Exposure Limit Values (ELVs) for sensory effects at the standardized configurations n.a YES NO
(if applicable and NO, specific measures are needed)

Occupational exposure is below the Action Levels (ALs) at the standardized configurations n.a YES NO
(if applicable and NO, specific signage is needed)

EMF Data for Non-thermal Effects

Exposure Indices (EIs) and distances to welding circuit (for each operation mode, as applicable)

	Head		Trunk	Limb (hand)	Limb (thigh)
	Sensory Effects	Health Effects			
Standardized distance	10 cm	10 cm	10 cm	3 cm	3 cm
ELV EI @ standardized distance	0.13	0.11	0.18	0.10	0.23
Required minimum distance	1 cm	1 cm	1 cm	1 cm	1 cm

Distance where all occupational ELV Exposure Indices fall below 0.20 (20%) 8 cm

Distance where all general public ELV Exposure Indices fall below 1.00 (100%) 163 cm

Tested by: Tony Samimi Date tested: 2016-02-15

SECTION 1 – SAFETY PRECAUTIONS - READ BEFORE USING

som 2015-09

 Protect yourself and others from injury — read, follow, and save these important safety precautions and operating instructions.

1-1. Symbol Usage



DANGER! – Indicates a hazardous situation which, if not avoided, will result in death or serious injury. The possible hazards are shown in the adjoining symbols or explained in the text.



Indicates a hazardous situation which, if not avoided, could result in death or serious injury. The possible hazards are shown in the adjoining symbols or explained in the text.

NOTICE – Indicates statements not related to personal injury.

 Indicates special instructions.



This group of symbols means Warning! Watch Out! ELECTRIC SHOCK, MOVING PARTS, and HOT PARTS hazards. Consult symbols and related instructions below for necessary actions to avoid the hazards.

1-2. Arc Welding Hazards



The symbols shown below are used throughout this manual to call attention to and identify possible hazards. When you see the symbol, watch out, and follow the related instructions to avoid the hazard. The safety information given below is only a summary of the more complete safety information found in the Safety Standards listed in Section 1-5. Read and follow all Safety Standards.



Only qualified persons should install, operate, maintain, and repair this unit.



During operation, keep everybody, especially children, away.



ELECTRIC SHOCK can kill.

Touching live electrical parts can cause fatal shocks or severe burns. The electrode and work circuit is electrically live whenever the output is on. The input power circuit and machine internal circuits are also live when power is on. In semiautomatic or automatic wire welding, the wire, wire reel, drive roll housing, and all metal parts touching the welding wire are electrically live. Incorrectly installed or improperly grounded equipment is a hazard.

- Do not touch live electrical parts.

- Wear dry, hole-free insulating gloves and body protection.
- Insulate yourself from work and ground using dry insulating mats or covers big enough to prevent any physical contact with the work or ground.
- Do not use AC output in damp areas, if movement is confined, or if there is a danger of falling.
- Use AC output ONLY if required for the welding process.
- If AC output is required, use remote output control if present on unit.
- Additional safety precautions are required when any of the following electrically hazardous conditions are present: in damp locations or while wearing wet clothing; on metal structures such as floors, gratings, or scaffolds; when in cramped positions such as sitting, kneeling, or lying; or when there is a high risk of unavoidable or accidental contact with the workpiece or ground. For these conditions, use the following equipment in order presented: 1) a semiautomatic DC constant voltage (wire) welder, 2) a DC manual (stick) welder, or 3) an AC welder with reduced open-circuit voltage. In most situations, use of a DC, constant voltage wire welder is recommended. And, do not work alone!
- Disconnect input power or stop engine before installing or servicing this equipment. Lockout/tagout input power according to OSHA 29 CFR 1910.147 (see Safety Standards).
- Properly install, ground, and operate this equipment according to its Owner's Manual and national, state, and local codes.

- Always verify the supply ground – check and be sure that input power cord ground wire is properly connected to ground terminal in disconnect box or that cord plug is connected to a properly grounded receptacle outlet.
- When making input connections, attach proper grounding conductor first – double-check connections.
- Keep cords dry, free of oil and grease, and protected from hot metal and sparks.
- Frequently inspect input power cord and ground conductor for damage or bare wiring – replace immediately if damaged – bare wiring can kill.
- Turn off all equipment when not in use.
- Do not use worn, damaged, undersized, or repaired cables.
- Do not drape cables over your body.
- If earth grounding of the workpiece is required, ground it directly with a separate cable.
- Do not touch electrode if you are in contact with the work, ground, or another electrode from a different machine.
- Do not touch electrode holders connected to two welding machines at the same time since double open-circuit voltage will be present.
- Use only well-maintained equipment. Repair or replace damaged parts at once. Maintain unit according to manual.
- Wear a safety harness if working above floor level.
- Keep all panels and covers securely in place.
- Clamp work cable with good metal-to-metal contact to workpiece or worktable as near the weld as practical.
- Insulate work clamp when not connected to workpiece to prevent contact with any metal object.
- Do not connect more than one electrode or work cable to any single weld output terminal. Disconnect cable for process not in use.
- Use GFCI protection when operating auxiliary equipment in damp or wet locations.

SIGNIFICANT DC VOLTAGE exists in inverter welding power sources AFTER removal of input power.

- Turn Off inverter, disconnect input power, and discharge input capacitors according to instructions in Maintenance Section before touching any parts.



HOT PARTS can burn.

- Do not touch hot parts bare handed.
- Allow cooling period before working on equipment.
- To handle hot parts, use proper tools and/or wear heavy, insulated welding gloves and clothing to prevent burns.



FUMES AND GASES can be hazardous.

Welding produces fumes and gases. Breathing these fumes and gases can be hazardous to your health.

- Keep your head out of the fumes. Do not breathe the fumes.
- If inside, ventilate the area and/or use local forced ventilation at the arc to remove welding fumes and gases. The recommended way to determine adequate ventilation is to sample for the composition and quantity of fumes and gases to which personnel are exposed.
- If ventilation is poor, wear an approved air-supplied respirator.
- Read and understand the Safety Data Sheets (SDSs) and the manufacturer's instructions for adhesives, coatings, cleaners, consumables, coolants, degreasers, fluxes, and metals.
- Work in a confined space only if it is well ventilated, or while wearing an air-supplied respirator. Always have a trained watch-person nearby. Welding fumes and gases can displace air and lower the oxygen level causing injury or death. Be sure the breathing air is safe.
- Do not weld in locations near degreasing, cleaning, or spraying operations. The heat and rays of the arc can react with vapors to form highly toxic and irritating gases.
- Do not weld on coated metals, such as galvanized, lead, or cadmium plated steel, unless the coating is removed from the weld area, the area is well ventilated, and while wearing an air-supplied respirator. The coatings and any metals containing these elements can give off toxic fumes if welded.



ARC RAYS can burn eyes and skin.

Arc rays from the welding process produce intense visible and invisible (ultraviolet and infrared) rays that can burn eyes and skin. Sparks fly off from the weld.

- Wear an approved welding helmet fitted with a proper shade of filter lenses to protect your face and eyes from arc rays and sparks when welding or watching (see ANSI Z49.1 and Z87.1 listed in Safety Standards).
- Wear approved safety glasses with side shields under your helmet.
- Use protective screens or barriers to protect others from flash, glare and sparks; warn others not to watch the arc.
- Wear body protection made from durable, flame-resistant material (leather, heavy cotton, wool). Body protection includes oil-free clothing such as leather gloves, heavy shirt, cuffless trousers, high shoes, and a cap.

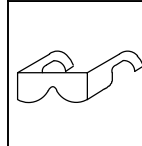


WELDING can cause fire or explosion.

Welding on closed containers, such as tanks, drums, or pipes, can cause them to blow up. Sparks can fly off from the welding arc. The flying sparks, hot workpiece, and hot equipment can cause fires and burns. Accidental contact of electrode to metal objects can cause sparks, explosion, overheating, or fire. Check and be sure the area is safe before doing any welding.

- Remove all flammables within 35 ft (10.7 m) of the welding arc. If this is not possible, tightly cover them with approved covers.
- Do not weld where flying sparks can strike flammable material.
- Protect yourself and others from flying sparks and hot metal.
- Be alert that welding sparks and hot materials from welding can easily go through small cracks and openings to adjacent areas.
- Watch for fire, and keep a fire extinguisher nearby.
- Be aware that welding on a ceiling, floor, bulkhead, or partition can cause fire on the hidden side.
- Do not weld on containers that have held combustibles, or on closed containers such as tanks, drums, or pipes unless they are properly prepared according to AWS F4.1 and AWS A6.0 (see Safety Standards).
- Do not weld where the atmosphere can contain flammable dust, gas, or liquid vapors (such as gasoline).
- Connect work cable to the work as close to the welding area as practical to prevent welding current from traveling long, possibly unknown paths and causing electric shock, sparks, and fire hazards.
- Do not use welder to thaw frozen pipes.

- Remove stick electrode from holder or cut off welding wire at contact tip when not in use.
- Wear body protection made from durable, flame-resistant material (leather, heavy cotton, wool). Body protection includes oil-free clothing such as leather gloves, heavy shirt, cuffless trousers, high shoes, and a cap.
- Remove any combustibles, such as a butane lighter or matches, from your person before doing any welding.
- After completion of work, inspect area to ensure it is free of sparks, glowing embers, and flames.
- Use only correct fuses or circuit breakers. Do not oversize or bypass them.
- Follow requirements in OSHA 1910.252 (a) (2) (iv) and NFPA 51B for hot work and have a fire watcher and extinguisher nearby.
- Read and understand the Safety Data Sheets (SDSs) and the manufacturer's instructions for adhesives, coatings, cleaners, consumables, coolants, degreasers, fluxes, and metals.



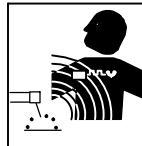
FLYING METAL or DIRT can injure eyes.

- Welding, chipping, wire brushing, and grinding cause sparks and flying metal. As welds cool, they can throw off slag.
- Wear approved safety glasses with side shields even under your welding helmet.



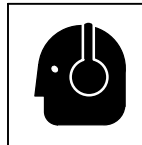
BUILDUP OF GAS can injure or kill.

- Shut off compressed gas supply when not in use.
- Always ventilate confined spaces or use approved air-supplied respirator.



ELECTRIC AND MAGNETIC FIELDS (EMF) can affect Implanted Medical Devices.

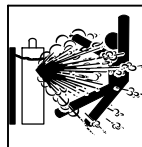
- Wearers of Pacemakers and other Implanted Medical Devices should keep away.
- Implanted Medical Device wearers should consult their doctor and the device manufacturer before going near arc welding, spot welding, gouging, plasma arc cutting, or induction heating operations.



NOISE can damage hearing.

Noise from some processes or equipment can damage hearing.

- Wear approved ear protection if noise level is high.



CYLINDERS can explode if damaged.

Compressed gas cylinders contain gas under high pressure. If damaged, a cylinder can explode. Since gas cylinders are normally part of the welding process, be sure to treat them carefully.

- Protect compressed gas cylinders from excessive heat, mechanical shocks, physical damage, slag, open flames, sparks, and arcs.
- Install cylinders in an upright position by securing to a stationary support or cylinder rack to prevent falling or tipping.
- Keep cylinders away from any welding or other electrical circuits.
- Never drape a welding torch over a gas cylinder.
- Never allow a welding electrode to touch any cylinder.
- Never weld on a pressurized cylinder – explosion will result.
- Use only correct compressed gas cylinders, regulators, hoses, and fittings designed for the specific application; maintain them and associated parts in good condition.
- Turn face away from valve outlet when opening cylinder valve. Do not stand in front of or behind the regulator when opening the valve.
- Keep protective cap in place over valve except when cylinder is in use or connected for use.
- Use the right equipment, correct procedures, and sufficient number of persons to lift and move cylinders.
- Read and follow instructions on compressed gas cylinders, associated equipment, and Compressed Gas Association (CGA) publication P-1 listed in Safety Standards.

1-3. Additional Symbols For Installation, Operation, And Maintenance



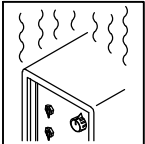
FIRE OR EXPLOSION hazard.

- Do not install or place unit on, over, or near combustible surfaces.
- Do not install unit near flammables.
- Do not overload building wiring – be sure power supply system is properly sized, rated, and protected to handle this unit.



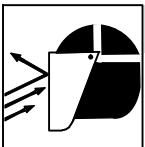
FALLING EQUIPMENT can injure.

- Use lifting eye to lift unit only, NOT running gear, gas cylinders, or any other accessories.
- Use equipment of adequate capacity to lift and support unit.
- If using lift forks to move unit, be sure forks are long enough to extend beyond opposite side of unit.
- Keep equipment (cables and cords) away from moving vehicles when working from an aerial location.
- Follow the guidelines in the Applications Manual for the Revised NIOSH Lifting Equation (Publication No. 94-110) when manually lifting heavy parts or equipment.



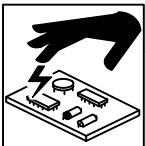
OVERUSE can cause OVERHEATING

- Allow cooling period; follow rated duty cycle.
- Reduce current or reduce duty cycle before starting to weld again.
- Do not block or filter airflow to unit.



FLYING SPARKS can injure.

- Wear a face shield to protect eyes and face.
- Shape tungsten electrode only on grinder with proper guards in a safe location wearing proper face, hand, and body protection.
- Sparks can cause fires — keep flammables away.



STATIC (ESD) can damage PC boards.

- Put on grounded wrist strap BEFORE handling boards or parts.
- Use proper static-proof bags and boxes to store, move, or ship PC boards.



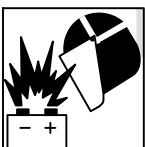
MOVING PARTS can injure.

- Keep away from moving parts.
- Keep away from pinch points such as drive rolls.



WELDING WIRE can injure.

- Do not press gun trigger until instructed to do so.
- Do not point gun toward any part of the body, other people, or any metal when threading welding wire.



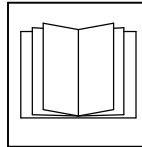
BATTERY EXPLOSION can injure.

- Do not use welder to charge batteries or jump start vehicles unless it has a battery charging feature designed for this purpose.



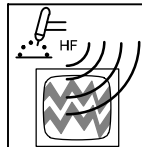
MOVING PARTS can injure.

- Keep away from moving parts such as fans.
- Keep all doors, panels, covers, and guards closed and securely in place.
- Have only qualified persons remove doors, panels, covers, or guards for maintenance and troubleshooting as necessary.
- Reinstall doors, panels, covers, or guards when maintenance is finished and before reconnecting input power.



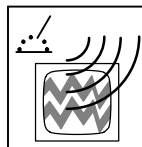
READ INSTRUCTIONS.

- Read and follow all labels and the Owner's Manual carefully before installing, operating, or servicing unit. Read the safety information at the beginning of the manual and in each section.
- Use only genuine replacement parts from the manufacturer.
- Perform installation, maintenance, and service according to the Owner's Manuals, industry standards, and national, state, and local codes.



H.F. RADIATION can cause interference.


- High-frequency (H.F.) can interfere with radio navigation, safety services, computers, and communications equipment.
- Have only qualified persons familiar with electronic equipment perform this installation.
- The user is responsible for having a qualified electrician promptly correct any interference problem resulting from the installation.
- If notified by the FCC about interference, stop using the equipment at once.
- Have the installation regularly checked and maintained.
- Keep high-frequency source doors and panels tightly shut, keep spark gaps at correct setting, and use grounding and shielding to minimize the possibility of interference.




ARC WELDING can cause interference.

- Electromagnetic energy can interfere with sensitive electronic equipment such as computers and computer-driven equipment such as robots.
- Be sure all equipment in the welding area is electromagnetically compatible.
- To reduce possible interference, keep weld cables as short as possible, close together, and down low, such as on the floor.
- Locate welding operation 100 meters from any sensitive electronic equipment.
- Be sure this welding machine is installed and grounded according to this manual.
- If interference still occurs, the user must take extra measures such as moving the welding machine, using shielded cables, using line filters, or shielding the work area.

1-4. California Proposition 65 Warnings

 **Welding or cutting equipment produces fumes or gases which contain chemicals known to the State of California to cause birth defects and, in some cases, cancer. (California Health & Safety Code Section 25249.5 et seq.)**

 **This product contains chemicals, including lead, known to the state of California to cause cancer, birth defects, or other reproductive harm. *Wash hands after use.***

1-5. Principal Safety Standards

Safety in Welding, Cutting, and Allied Processes, ANSI Standard Z49.1, is available as a free download from the American Welding Society at <http://www.aws.org> or purchased from Global Engineering Documents (phone: 1-877-413-5184, website: www.global.ihs.com).

Safe Practices for the Preparation of Containers and Piping for Welding and Cutting, American Welding Society Standard AWS F4.1, from Global Engineering Documents (phone: 1-877-413-5184, website: www.global.ihs.com).

Safe Practices for Welding and Cutting Containers that have Held Combustibles, American Welding Society Standard AWS A6.0, from Global Engineering Documents (phone: 1-877-413-5184, website: www.global.ihs.com).

National Electrical Code, NFPA Standard 70, from National Fire Protection Association, Quincy, MA 02269 (phone: 1-800-344-3555, website: www.nfpa.org and www.sparky.org).

Safe Handling of Compressed Gases in Cylinders, CGA Pamphlet P-1, from Compressed Gas Association, 14501 George Carter Way, Suite 103, Chantilly, VA 20151 (phone: 703-788-2700, website: www.cga-net.com).

Safety in Welding, Cutting, and Allied Processes, CSA Standard W117.2, from Canadian Standards Association, Standards Sales, 5060 Spectrum Way, Suite 100, Mississauga, Ontario, Canada L4W 5N5 (phone: 800-463-6727, website: www.csagroup.org).

Safe Practice For Occupational And Educational Eye And Face Protection, ANSI Standard Z87.1, from American National Standards Institute, 25 West 43rd Street, New York, NY 10036 (phone: 212-642-4900, website: www.ansi.org).

Standard for Fire Prevention During Welding, Cutting, and Other Hot Work, NFPA Standard 51B, from National Fire Protection Association, Quincy, MA 02269 (phone: 1-800-344-3555, website: www.nfpa.org).

OSHA, Occupational Safety and Health Standards for General Industry, Title 29, Code of Federal Regulations (CFR), Part 1910, Subpart Q, and Part 1926, Subpart J, from U.S. Government Printing Office, Superintendent of Documents, P.O. Box 371954, Pittsburgh, PA 15250-7954 (phone: 1-866-512-1800) (there are 10 OSHA Regional Offices—phone for Region 5, Chicago, is 312-353-2220, website: www.osha.gov).

Applications Manual for the Revised NIOSH Lifting Equation, The National Institute for Occupational Safety and Health (NIOSH), 1600 Clifton Rd, Atlanta, GA 30329-4027 (phone: 1-800-232-4636, website: www.cdc.gov/NIOSH).

1-6. EMF Information

Electric current flowing through any conductor causes localized electric and magnetic fields (EMF). The current from arc welding (and allied processes including spot welding, gouging, plasma arc cutting, and induction heating operations) creates an EMF field around the welding circuit. EMF fields can interfere with some medical implants, e.g. pacemakers. Protective measures for persons wearing medical implants have to be taken. For example, restrict access for passers-by or conduct individual risk assessment for welders. All welders should use the following procedures in order to minimize exposure to EMF fields from the welding circuit:

1. Keep cables close together by twisting or taping them, or using a cable cover.
2. Do not place your body between welding cables. Arrange cables to one side and away from the operator.
3. Do not coil or drape cables around your body.

4. Keep head and trunk as far away from the equipment in the welding circuit as possible.
5. Connect work clamp to workpiece as close to the weld as possible.
6. Do not work next to, sit or lean on the welding power source.
7. Do not weld whilst carrying the welding power source or wire feeder.

About Implanted Medical Devices:

Implanted Medical Device wearers should consult their doctor and the device manufacturer before performing or going near arc welding, spot welding, gouging, plasma arc cutting, or induction heating operations. If cleared by your doctor, then following the above procedures is recommended.

SECTION 2 – CONSIGNES DE SÉCURITÉ – LIRE AVANT UTILISATION

fre_som_2015-09

⚠ Pour écarter les risques de blessure pour vous-même et pour autrui — lire, appliquer et ranger en lieu sûr ces consignes relatives aux précautions de sécurité et au mode opératoire.

2-1. Symboles utilisés



DANGER! – Indique une situation dangereuse qui si on l'évite pas peut donner la mort ou des blessures graves. Les dangers possibles sont montrés par les symboles joints ou sont expliqués dans le texte.



Indique une situation dangereuse qui si on l'évite pas peut donner la mort ou des blessures graves. Les dangers possibles sont montrés par les symboles joints ou sont expliqués dans le texte.

AVIS – Indique des déclarations pas en relation avec des blessures personnelles.

 Indique des instructions spécifiques.



Ce groupe de symboles veut dire Avertissement! Attention! DANGER DE CHOC ELECTRIQUE, PIECES EN MOUVEMENT, et PIECES CHAUDES. Consulter les symboles et les instructions ci-dessous y afférant pour les actions nécessaires afin d'éviter le danger.

2-2. Dangers relatifs au soudage à l'arc



Les symboles représentés ci-dessous sont utilisés dans ce manuel pour attirer l'attention et identifier les dangers possibles. En présence de l'un de ces symboles, prendre garde et suivre les instructions afférentes pour éviter tout risque. Les instructions en matière de sécurité indiquées ci-dessous ne constituent qu'un sommaire des instructions de sécurité plus complètes fournies dans les normes de sécurité énumérées dans la Section 2-5. Lire et observer toutes les normes de sécurité.



Seul un personnel qualifié est autorisé à installer, faire fonctionner, entretenir et réparer cet appareil.



Pendant le fonctionnement, maintenir à distance toutes les personnes, notamment les enfants de l'appareil.



UNE DÉCHARGE ÉLECTRIQUE peut entraîner la mort.

Le contact d'organes électriques sous tension peut provoquer des accidents mortels ou des brûlures graves. Le circuit de l'électrode et de la pièce est sous tension lorsque le courant est délivré à la sortie. Le circuit d'alimentation et les circuits internes de la machine sont également sous tension lorsque l'alimentation est sur Marche. Dans le mode de soudage avec du fil, le fil, le dérouleur, le bloc de commande du rouleau et toutes les parties métalliques en contact avec le fil sont sous tension électrique. Un équipement installé ou mis à la terre de manière incorrecte ou impropre constitue un danger.

- Ne pas toucher aux pièces électriques sous tension.
- Porter des gants isolants et des vêtements de protection secs et sans trous.
- S'isoler de la pièce à couper et du sol en utilisant des housses ou des tapis assez grands afin d'éviter tout contact physique avec la pièce à couper ou le sol.
- Ne pas se servir de source électrique à courant électrique dans les zones humides, dans les endroits confinés ou là où on risque de tomber.
- Se servir d'une source électrique à courant électrique UNIQUEMENT si le procédé de soudage le demande.
- Si l'utilisation d'une source électrique à courant électrique s'avère nécessaire, se servir de la fonction de télécommande si l'appareil en est équipé.
- D'autres consignes de sécurité sont nécessaires dans les conditions suivantes : risques électriques dans un environnement humide ou si l'on porte des vêtements mouillés ; sur des structures métalliques telles que sols, grilles ou échafaudages ; en position coincée comme assise, à genoux ou couchée ; ou s'il y a un risque élevé de contact inévitable ou accidentel avec la pièce à souder ou le sol. Dans ces conditions, utiliser les équipements suivants, dans l'ordre indiqué : 1) un poste à souder DC à tension constante (à fil), 2) un poste à souder DC manuel (électrode) ou 3) un poste à souder AC à tension à vide réduite. Dans la plupart des situations, l'utilisation d'un poste à souder DC à fil à tension constante est recommandée. En outre, ne pas travailler seul !

- Couper l'alimentation ou arrêter le moteur avant de procéder à l'installation, à la réparation ou à l'entretien de l'appareil. Déverrouiller l'alimentation selon la norme OSHA 29 CFR 1910.147 (voir normes de sécurité).
- Installez, mettez à la terre et utilisez correctement cet équipement conformément à son Manuel d'Utilisation et aux réglementations nationales, gouvernementales et locales.
- Toujours vérifier la terre du cordon d'alimentation. Vérifier et s'assurer que le fil de terre du cordon d'alimentation est bien raccordé à la borne de terre du sectionneur ou que la fiche du cordon est raccordée à une prise correctement mise à la terre.
- En effectuant les raccordements d'entrée, fixer d'abord le conducteur de mise à la terre approprié et contre-vérifier les connexions.
- Les câbles doivent être exempts d'humidité, d'huile et de graisse; protégez-les contre les étincelles et les pièces métalliques chaudes.
- Vérifier fréquemment le cordon d'alimentation et le conducteur de mise à la terre afin de s'assurer qu'il n'est pas altéré ou dénudé -, le remplacer immédiatement s'il l'est -. Un fil dénudé peut entraîner la mort.
- L'équipement doit être hors tension lorsqu'il n'est pas utilisé.
- Ne pas utiliser des câbles usés, endommagés, de grosseur insuffisante ou mal épissés.
- Ne pas enrouler les câbles autour du corps.
- Si la pièce soudée doit être mise à la terre, le faire directement avec un câble distinct.
- Ne pas toucher l'électrode quand on est en contact avec la pièce, la terre ou une électrode provenant d'une autre machine.
- Ne pas toucher des porte électrodes connectés à deux machines en même temps à cause de la présence d'une tension à vide doublée.
- N'utiliser qu'un matériel en bon état. Réparer ou remplacer sur-le-champ les pièces endommagées. Entretenir l'appareil conformément à ce manuel.
- Porter un harnais de sécurité si l'on doit travailler au-dessus du sol.
- S'assurer que tous les panneaux et couvercles sont correctement en place.
- Fixer le câble de retour de façon à obtenir un bon contact métal-métal avec la pièce à souder ou la table de travail, le plus près possible de la soudure.
- Isoler la pince de masse quand pas mis à la pièce pour éviter le contact avec tout objet métallique.
- Ne pas raccorder plus d'une électrode ou plus d'un câble de masse à une même borne de sortie de soudage. Débrancher le câble pour le procédé non utilisé.
- Utiliser une protection différentielle lors de l'utilisation d'un équipement auxiliaire dans des endroits humides ou mouillés.

Il reste une TENSION DC NON NÉGLIGEABLE dans les sources de soudage onduleur UNE FOIS l'alimentation coupée.

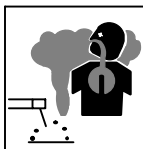
- Arrêter les convertisseurs, débrancher le courant électrique et décharger les condensateurs d'alimentation selon les instructions indiquées dans la partie Entretien avant de toucher les pièces.



LES PIÈCES CHAUDES peuvent provoquer des brûlures.

- Ne pas toucher à mains nues les parties chaudes.
- Prévoir une période de refroidissement avant de travailler à l'équipement.

- Ne pas toucher aux pièces chaudes, utiliser les outils recommandés et porter des gants de soudage et des vêtements épais pour éviter les brûlures.



LES FUMÉES ET LES GAZ peuvent être dangereux.

Le soudage génère des fumées et des gaz. Leur inhalation peut être dangereux pour votre santé.

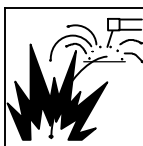
- Eloigner votre tête des fumées. Ne pas respirer les fumées.
- À l'intérieur, ventiler la zone et/ou utiliser une ventilation forcée au niveau de l'arc pour l'évacuation des fumées et des gaz de soudage. Pour déterminer la bonne ventilation, il est recommandé de procéder à un prélèvement pour la composition et la quantité de fumées et de gaz auxquels est exposé le personnel.
- Si la ventilation est médiocre, porter un respirateur anti-vapeurs approuvé.
- Lire et comprendre les fiches de données de sécurité et les instructions du fabricant concernant les adhésifs, les revêtements, les nettoyants, les consommables, les produits de refroidissement, les dégraissants, les flux et les métaux.
- Travailler dans un espace fermé seulement s'il est bien ventilé ou en portant un respirateur à alimentation d'air. Demander toujours à un surveillant dûment formé de se tenir à proximité. Des fumées et des gaz de soudage peuvent déplacer l'air et abaisser le niveau d'oxygène provoquant des blessures ou des accidents mortels. S'assurer que l'air de respiration ne présente aucun danger.
- Ne pas souder dans des endroits situés à proximité d'opérations de dégraissage, de nettoyage ou de pulvérisation. La chaleur et les rayons de l'arc peuvent réagir en présence de vapeurs et former des gaz hautement toxiques et irritants.
- Ne pas souder des métaux munis d'un revêtement, tels que l'acier galvanisé, plaqué en plomb ou au cadmium à moins que le revêtement n'ait été enlevé dans la zone de soudure, que l'endroit soit bien ventilé, et en portant un respirateur à alimentation d'air. Les revêtements et tous les métaux renfermant ces éléments peuvent dégager des fumées toxiques en cas de soudage.



LES RAYONS DE L'ARC peuvent provoquer des brûlures dans les yeux et sur la peau.

Le rayonnement de l'arc du procédé de soudage génère des rayons visibles et invisibles intenses (ultraviolets et infrarouges) susceptibles de provoquer des brûlures dans les yeux et sur la peau. Des étincelles sont projetées pendant le soudage.

- Porter un casque de soudage approuvé muni de verres filtrants appropriés pour protéger visage et yeux pour protéger votre visage et vos yeux pendant le soudage ou pour regarder (voir ANSI Z49.1 et Z87.1 énuméré dans les normes de sécurité).
- Porter des lunettes de sécurité avec écrans latéraux même sous votre casque.
- Avoir recours à des écrans protecteurs ou à des rideaux pour protéger les autres contre les rayonnements les éblouissements et les étincelles ; prévenir toute personne sur les lieux de ne pas regarder l'arc.
- Porter un équipement de protection pour le corps fait d'un matériau résistant et ignifuge (cuir, coton robuste, laine). La protection du corps comporte des vêtements sans huile comme par ex. des gants de cuir, une chemise solide, des pantalons sans revers, des chaussures hautes et une casquette.

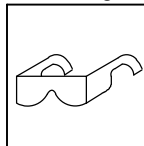


LE SOUDAGE peut provoquer un incendie ou une explosion.

Le soudage effectué sur des conteneurs fermés tels que des réservoirs, tambours ou des conduites peut provoquer leur éclatement. Des étincelles peuvent être projetées de l'arc de soudure. La projection d'étincelles, des pièces chaudes et des équipements chauds peut provoquer des incendies et des brûlures. Le contact accidentel de l'électrode avec des objets métalliques peut provoquer des étincelles, une explosion, un sur-

chauffement ou un incendie. Avant de commencer le soudage, vérifier et s'assurer que l'endroit ne présente pas de danger.

- Déplacer toutes les substances inflammables à une distance de 10,7 m de l'arc de soudage. En cas d'impossibilité les recouvrir soigneusement avec des protections homologués.
- Ne pas souder dans un endroit où des étincelles peuvent tomber sur des substances inflammables.
- Se protéger et d'autres personnes de la projection d'étincelles et de métal chaud.
- Des étincelles et des matériaux chauds du soudage peuvent facilement passer dans d'autres zones en traversant de petites fissures et des ouvertures.
- Surveiller tout déclenchement d'incendie et tenir un extincteur à proximité.
- Le soudage effectué sur un plafond, plancher, paroi ou séparation peut déclencher un incendie de l'autre côté.
- Ne pas effectuer le soudage sur des conteneurs fermés tels que des réservoirs, tambours, ou conduites, à moins qu'ils n'aient été préparés correctement conformément à AWS F4.1 et AWS A6.0 (voir les Normes de Sécurité).
- Ne pas souder là où l'air ambiant pourrait contenir des poussières, gaz ou émanations inflammables (vapeur d'essence, par exemple).
- Brancher le câble de masse sur la pièce la plus près possible de la zone de soudage pour éviter le transport du courant sur une longue distance par des chemins inconnus éventuels en provoquant des risques d'électrocution, d'étincelles et d'incendie.
- Ne pas utiliser le poste de soudage pour dégeler des conduites gelées.
- En cas de non utilisation, enlever la baguette d'électrode du porte-électrode ou couper le fil à la pointe de contact.
- Porter un équipement de protection pour le corps fait d'un matériau résistant et ignifuge (cuir, coton robuste, laine). La protection du corps comporte des vêtements sans huile comme par ex. des gants de cuir, une chemise solide, des pantalons sans revers, des chaussures hautes et une casquette.
- Avant de souder, retirer toute substance combustible de vos poches telles qu'un allumeur au butane ou des allumettes.
- Une fois le travail achevé, assurez-vous qu'il ne reste aucune trace d'étincelles incandescentes ni de flammes.
- Utiliser exclusivement des fusibles ou coupe-circuits appropriés. Ne pas augmenter leur puissance; ne pas les ponter.
- Suivre les recommandations dans OSHA 1910.252(a)(2)(iv) et NFPA 51B pour les travaux à chaud et avoir de la surveillance et un extincteur à proximité.
- Lire et comprendre les fiches de données de sécurité et les instructions du fabricant concernant les adhésifs, les revêtements, les nettoyants, les consommables, les produits de refroidissement, les dégraissants, les flux et les métaux.



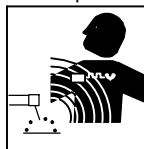
DES PIÈCES DE METAL ou DES SALETES peuvent provoquer des blessures dans les yeux.

- Le soudage, l'écaillage, le passage de la pièce à la brosse en fil de fer, et le meulage génèrent des étincelles et des particules métalliques volantes. Pendant la période de refroidissement des soudures, elles risquent de projeter du laitier.
- Porter des lunettes de sécurité avec écrans latéraux ou un écran facial.



LES ACCUMULATIONS DE GAZ risquent de provoquer des blessures ou même la mort.

- Fermer l'alimentation du gaz comprimé en cas de non utilisation.
- Veiller toujours à bien aérer les espaces confinés ou se servir d'un respirateur d'adduction d'air homologué.



Les CHAMPS ÉLECTROMAGNÉTIQUES (CEM) peuvent affecter les implants médicaux.

- Les porteurs de stimulateurs cardiaques et autres implants médicaux doivent rester à distance.
- Les porteurs d'implants médicaux doivent consulter leur médecin et le fabricant du dispositif avant de s'approcher de la zone où se déroule du soudage à l'arc, du soudage par points, du gougeage, de la découpe plasma ou une opération de chauffage par induction.



LE BRUIT peut endommager l'ouïe.

Le bruit des processus et des équipements peut affecter l'ouïe.

- Porter des protections approuvées pour les oreilles si le niveau sonore est trop élevé.



LES BOUTEILLES peuvent exploser si elles sont endommagées.

Les bouteilles de gaz comprimé contiennent du gaz sous haute pression. Si une bouteille est endommagée, elle peut exploser. Du fait que

les bouteilles de gaz font normalement partie du procédé de soudage, les manipuler avec précaution.

- Protéger les bouteilles de gaz comprimé d'une chaleur excessive, des chocs mécaniques, des dommages physiques, du laitier, des flammes ouvertes, des étincelles et des arcs.
- Placer les bouteilles debout en les fixant dans un support stationnaire ou dans un porte-bouteilles pour les empêcher de tomber ou de se renverser.

2-3. Dangers supplémentaires en relation avec l'installation, le fonctionnement et la maintenance



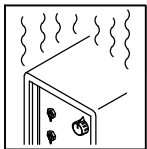
Risque D'INCENDIE OU D'EXPLOSION.

- Ne pas placer l'appareil sur, au-dessus ou à proximité de surfaces inflammables.
- Ne pas installer l'appareil à proximité de produits inflammables.
- Ne pas surcharger l'installation électrique – s'assurer que l'alimentation est correctement dimensionnée et protégée avant de mettre l'appareil en service.



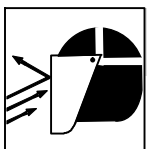
LA CHUTE DE L'ÉQUIPEMENT peut provoquer des blessures.

- Utiliser l'anneau de levage uniquement pour soulever l'appareil, NON PAS les chariots, les bouteilles de gaz ou tout autre accessoire.
- Utiliser un équipement de levage de capacité suffisante pour lever l'appareil.
- En utilisant des fourches de levage pour déplacer l'unité, s'assurer que les fourches sont suffisamment longues pour dépasser du côté opposé de l'appareil.
- Tenir l'équipement (câbles et cordons) à distance des véhicules mobiles lors de toute opération en hauteur.
- Suivre les consignes du Manuel des applications pour l'équation de levage NIOSH révisée (Publication N°94-110) lors du levage manuel de pièces ou équipements lourds.



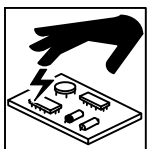
L'EMPLOI EXCESSIF peut SURCHAUFFER L'ÉQUIPEMENT.

- Prévoir une période de refroidissement ; respecter le cycle opératoire nominal.
- Réduire le courant ou le facteur de marche avant de poursuivre le soudage.
- Ne pas obstruer les passages d'air du poste.



LES ÉTINCELLES PROJÉTÉES peuvent provoquer des blessures.

- Porter un écran facial pour protéger le visage et les yeux.
- Affûter l'électrode au tungstène uniquement à la meuleuse dotée de protecteurs. Cette manœuvre est à exécuter dans un endroit sûr lorsque l'on porte l'équipement homologué de protection du visage, des mains et du corps.
- Les étincelles risquent de causer un incendie – éloigner toute substance inflammable.

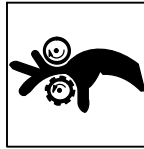


LES CHARGES ÉLECTROSTATIQUES peuvent endommager les circuits imprimés.

- Établir la connexion avec la barrette de terre avant de manipuler des cartes ou des pièces.

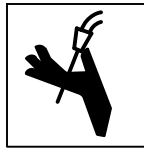
- Tenir les bouteilles éloignées des circuits de soudage ou autres circuits électriques.
- Ne jamais placer une torche de soudage sur une bouteille à gaz.
- Une électrode de soudage ne doit jamais entrer en contact avec une bouteille.
- Ne jamais souder une bouteille pressurisée – risque d'explosion.
- Utiliser seulement des bouteilles de gaz comprimé, régulateurs, tuyaux et raccords convenables pour cette application spécifique; les maintenir ainsi que les éléments associés en bon état.
- Tourner le dos à la sortie de vanne lors de l'ouverture de la vanne de la bouteille. Ne pas se tenir devant ou derrière le régulateur lors de l'ouverture de la vanne.
- Le couvercle du détendeur doit toujours être en place, sauf lorsque la bouteille est utilisée ou qu'elle est reliée pour usage ultérieur.
- Utiliser les équipements corrects, les bonnes procédures et suffisamment de personnes pour soulever et déplacer les bouteilles.
- Lire et suivre les instructions sur les bouteilles de gaz comprimé, l'équipement connexe et le dépliant P-1 de la CGA (Compressed Gas Association) mentionné dans les principales normes de sécurité.

- Utiliser des pochettes et des boîtes antistatiques pour stocker, déplacer ou expédier des cartes de circuits imprimés.



Les PIÈCES MOBILES peuvent causer des blessures.

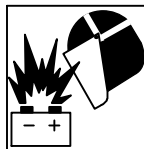
- Ne pas s'approcher des organes mobiles.
- Ne pas s'approcher des points de coincement tels que des rouleaux de commande.



LES FILS DE SOUDAGE peuvent provoquer des blessures.

- Ne pas appuyer sur la gâchette avant d'en avoir reçu l'instruction.
- Ne pas diriger le pistolet vers soi, d'autres

personnes ou toute pièce mécanique en engageant le fil de soudage.



L'EXPLOSION DE LA BATTERIE peut provoquer des blessures.

- Ne pas utiliser l'appareil de soudage pour charger des batteries ou faire démarrer des véhicules à l'aide de câbles de démarrage, sauf si l'appareil dispose d'une fonctionnalité de charge de batterie destinée à cet usage.

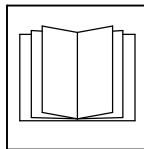


Les PIÈCES MOBILES peuvent causer des blessures.

- S'abstenir de toucher des organes mobiles tels que des ventilateurs.
- Maintenir fermés et verrouillés les portes,

panneaux, recouvrements et dispositifs de protection.

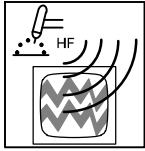
- Lorsque cela est nécessaire pour des travaux d'entretien et de dépannage, faire retirer les portes, panneaux, recouvrements ou dispositifs de protection uniquement par du personnel qualifié.
- Remettre les portes, panneaux, recouvrements ou dispositifs de protection quand l'entretien est terminé et avant de rebrancher l'alimentation électrique.



LIRE LES INSTRUCTIONS.

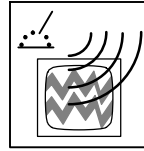
- Lire et appliquer les instructions sur les étiquettes et le Mode d'emploi avant l'installation, l'utilisation ou l'entretien de l'appareil. Lire les informations de sécurité au début du manuel et dans chaque section.

- N'utiliser que les pièces de rechange recommandées par le constructeur.
- Effectuer l'installation, l'entretien et toute intervention selon les manuels d'utilisateurs, les normes nationales, provinciales et de l'industrie, ainsi que les codes municipaux.



LE RAYONNEMENT HAUTE FRÉQUENCE (H.F.) risque de provoquer des interférences.

- Le rayonnement haute fréquence (H.F.) peut provoquer des interférences avec les équipements de radio-navigation et de communication, les services de sécurité et les ordinateurs.
- Demander seulement à des personnes qualifiées familiarisées avec des équipements électroniques de faire fonctionner l'installation.
- L'utilisateur est tenu de faire corriger rapidement par un électricien qualifié les interférences résultant de l'installation.
- Si le FCC signale des interférences, arrêter immédiatement l'appareil.
- Effectuer régulièrement le contrôle et l'entretien de l'installation.
- Maintenir soigneusement fermés les portes et les panneaux des sources de haute fréquence, maintenir les éclateurs à une distance correcte et utiliser une terre et un blindage pour réduire les interférences éventuelles.



LE SOUDAGE À L'ARC risque de provoquer des interférences.

- L'énergie électromagnétique risque de provoquer des interférences pour l'équipement électronique sensible tel que les ordinateurs et l'équipement commandé par ordinateur tel que les robots.
- Veiller à ce que tout l'équipement de la zone de soudage soit compatible électromagnétiquement.
- Pour réduire la possibilité d'interférence, maintenir les câbles de soudage aussi courts que possible, les grouper, et les poser aussi bas que possible (ex. par terre).
- Veiller à souder à une distance de 100 mètres de tout équipement électronique sensible.
- Veiller à ce que ce poste de soudage soit posé et mis à la terre conformément à ce mode d'emploi.
- En cas d'interférences après avoir pris les mesures précédentes, il incombe à l'utilisateur de prendre des mesures supplémentaires telles que le déplacement du poste, l'utilisation de câbles blindés, l'utilisation de filtres de ligne ou la pose de protecteurs dans la zone de travail.

2-4. Proposition californienne 65 Avertissements

⚠ Les équipements de soudage et de coupage produisent des fumées et des gaz qui contiennent des produits chimiques dont l'État de Californie reconnaît qu'ils provoquent des malformations congénitales et, dans certains cas, des cancers. (Code de santé et de sécurité de Californie, chapitre 25249.5 et suivants)

⚠ Ce produit contient des produits chimiques, notamment du plomb, dont l'État de Californie reconnaît qu'ils provoquent des cancers, des malformations congénitales ou d'autres problèmes de procréation. Se laver les mains après utilisation.

2-5. Principales normes de sécurité

Safety in Welding, Cutting, and Allied Processes, ANSI Standard Z49.1, is available as a free download from the American Welding Society at <http://www.aws.org> or purchased from Global Engineering Documents (phone: 1-877-413-5184, website: www.global.ihs.com).

Safe Practices for the Preparation of Containers and Piping for Welding and Cutting, American Welding Society Standard AWS F4.1, from Global Engineering Documents (phone: 1-877-413-5184, website: www.global.ihs.com).

Safe Practices for Welding and Cutting Containers that have Held Combustibles, American Welding Society Standard AWS A6.0, from Global Engineering Documents (phone: 1-877-413-5184, website: www.global.ihs.com).

National Electrical Code, NFPA Standard 70, from National Fire Protection Association, Quincy, MA 02269 (phone: 1-800-344-3555, website: www.nfpa.org and www.sparky.org).

Safe Handling of Compressed Gases in Cylinders, CGA Pamphlet P-1, from Compressed Gas Association, 14501 George Carter Way, Suite 103, Chantilly, VA 20151 (phone: 703-788-2700, website: www.cganet.com).

Safety in Welding, Cutting, and Allied Processes, CSA Standard W117.2, from Canadian Standards Association, Standards Sales, 5060

Spectrum Way, Suite 100, Mississauga, Ontario, Canada L4W 5N5 (phone: 800-463-6727, website: www.csagroup.org).

Safe Practice For Occupational And Educational Eye And Face Protection, ANSI Standard Z87.1, from American National Standards Institute, 25 West 43rd Street, New York, NY 10036 (phone: 212-642-4900, website: www.ansi.org).

Standard for Fire Prevention During Welding, Cutting, and Other Hot Work, NFPA Standard 51B, from National Fire Protection Association, Quincy, MA 02269 (phone: 1-800-344-3555, website: www.nfpa.org).

OSHA, Occupational Safety and Health Standards for General Industry, Title 29, Code of Federal Regulations (CFR), Part 1910, Subpart Q, and Part 1926, Subpart J, from U.S. Government Printing Office, Superintendent of Documents, P.O. Box 371954, Pittsburgh, PA 15250-7954 (phone: 1-866-512-1800) (there are 10 OSHA Regional Offices—phone for Region 5, Chicago, is 312-353-2220, website: www.osha.gov).

Applications Manual for the Revised NIOSH Lifting Equation, The National Institute for Occupational Safety and Health (NIOSH), 1600 Clifton Rd, Atlanta, GA 30329-4027 (phone: 1-800-232-4636, website: www.cdc.gov/NIOSH).

2-6. Informations relatives aux CEM

Le courant électrique qui traverse tout conducteur génère des champs électromagnétiques (CEM) à certains endroits. Le courant issu d'un soudage à l'arc (et de procédés connexes, y compris le soudage par points, le gougeage, le découpage plasma et les opérations de chauffage par induction) crée un champ électromagnétique (CEM) autour du circuit de soudage. Les champs électromagnétiques produits peuvent causer interférence à certains implants médicaux, p. ex. les stimulateurs cardiaques. Des mesures de protection pour les porteurs d'implants médicaux doivent être prises: Limiter par exemple tout accès aux passants ou procéder à une évaluation des risques individuels pour les soudeurs. Tous les soudeurs doivent appliquer les procédures suivantes pour minimiser l'exposition aux CEM provenant du circuit de soudage:

1. Rassembler les câbles en les torsadant ou en les attachant avec du ruban adhésif ou avec une housse.
2. Ne pas se tenir au milieu des câbles de soudage. Disposer les

câbles d'un côté et à distance de l'opérateur.


3. Ne pas courber et ne pas entourer les câbles autour de votre corps.
4. Maintenir la tête et le torse aussi loin que possible du matériel du circuit de soudage.
5. Connecter la pince sur la pièce aussi près que possible de la soudure.
6. Ne pas travailler à proximité d'une source de soudage, ni s'asseoir ou se pencher dessus.
7. Ne pas souder tout en portant la source de soudage ou le dévidoir.



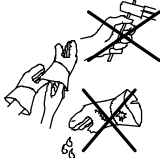
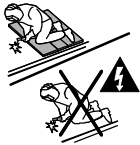
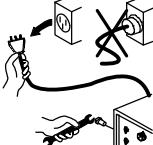

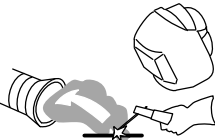
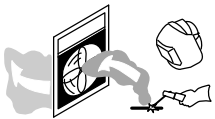
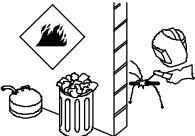

En ce qui concerne les implants médicaux :





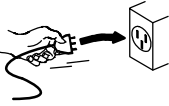
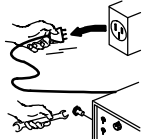
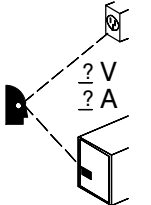
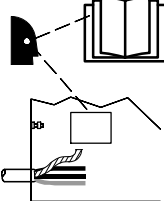
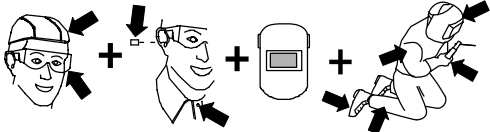
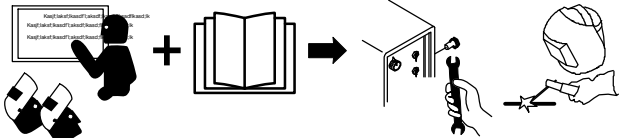
Les porteurs d'implants doivent d'abord consulter leur médecin avant de s'approcher des opérations de soudage à l'arc, de soudage par points, de gougeage, du coupage plasma ou de chauffage par induction. Si le médecin approuve, il est recommandé de suivre les procédures précédentes.

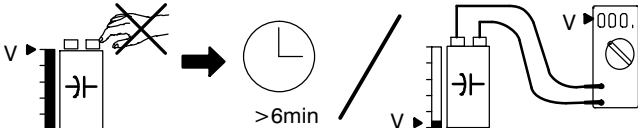
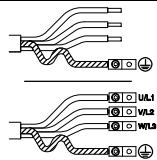
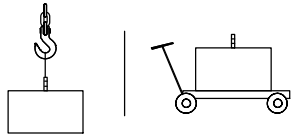
SECTION 3 – DEFINITIONS

3-1. Additional Safety Symbols And Definitions

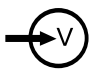





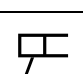
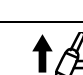
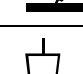
 Some symbols are found only on CE products.



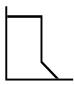

	<p>Warning! Watch Out! There are possible hazards as shown by the symbols.</p> <p style="text-align: right;">Safe1 2012-05</p>
	<p>Do not discard product (where applicable) with general waste. Reuse or recycle Waste Electrical and Electronic Equipment (WEEE) by disposing at a designated collection facility. Contact your local recycling office or your local distributor for further information.</p> <p style="text-align: right;">Safe37 2012-05</p>
	<p>Wear dry insulating gloves. Do not touch electrode with bare hand. Do not wear wet or damaged gloves.</p> <p style="text-align: right;">Safe2 2012-05</p>
	<p>Protect yourself from electric shock by insulating yourself from work and ground.</p> <p style="text-align: right;">Safe3 2012-05</p>
	<p>Disconnect input plug or power before working on machine.</p> <p style="text-align: right;">Safe5 2012-05</p>
	<p>Keep your head out of the fumes.</p> <p style="text-align: right;">Safe6 2012-05</p>
	<p>Use forced ventilation or local exhaust to remove the fumes.</p> <p style="text-align: right;">Safe8 2012-05</p>
	<p>Use ventilating fan to remove fumes.</p> <p style="text-align: right;">Safe10 2012-05</p>
	<p>Keep flammables away from welding. Do not weld near flammables.</p> <p style="text-align: right;">Safe12 2012-05</p>
	<p>Welding sparks can cause fires. Have a fire extinguisher nearby, and have a watchperson ready to use it.</p> <p style="text-align: right;">Safe14 2012-05</p>

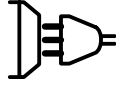



	<p>Do not weld on drums or any closed containers.</p> <p style="text-align: right;">Safe16 2012-05</p>
	<p>Do not remove or paint over (cover) the label.</p> <p style="text-align: right;">Safe20 2012-05</p>
	<p>Flying pieces of parts can cause injury. Always wear a face shield when servicing unit.</p> <p style="text-align: right;">Safe27 2012-05</p>
	<p>Always wear long sleeves and button your collar when servicing unit.</p> <p style="text-align: right;">Safe28 2012-05</p>
	<p>After taking proper precautions as shown, connect power to unit.</p> <p style="text-align: right;">Safe29 2012-05</p>
	<p>Disconnect input plug or power before working on machine.</p> <p style="text-align: right;">Safe30 2012-05</p>
	<p>Consult rating label for input power requirements.</p> <p style="text-align: right;">Safe34 2012-05</p>
	<p>Become trained and read the instructions and labels before working on machine.</p> <p style="text-align: right;">Safe35 2012-05</p>
	<p>Wear hat and safety glasses. Use ear protection and button shirt collar. Use welding helmet with correct shade of filter. Wear complete body protection.</p> <p style="text-align: right;">Safe38 2012-05</p>
	<p>Become trained and read the instructions before working on the machine or welding.</p> <p style="text-align: right;">Safe40 2012-05</p>

	<p>Hazardous voltage remains on input capacitors after power is turned off. Do not touch fully charged capacitors. Always wait 6 minutes after power is turned off before working on unit, OR check input capacitor voltage, and be sure it is near 0 before touching any parts.</p> <p>Ref. Safe43 2012-05</p>
	<p>Connect Green Or Green/Yellow grounding conductor to ground terminal first. Connect input conductors (U/L1, V/L2, W/L3) to line terminals.</p> <p>Safe121 2016-04</p>
	<p>Use lifting eye to lift unit and properly installed units only. Use a proper cart to move unit.</p> <p>Safe122 2016-04</p>

3-2. Miscellaneous Symbols And Definitions

A	Amperage
V	Voltage
I	On
O	Off
	Input Voltage
	Output
	Remote
	Gas Metal Arc Welding (GMAW)
	Flux Cored Arc Welding (FCAW)
	Air Carbon Arc Cutting (CAC-A)
	Shielded Metal Arc Welding (SMAW)
	Lift-Arc (GTAW)
	Submerged Arc Welding (SAW)

	Gas Tungsten Arc Welding (GTAW)
	Variable Inductance
	Arc Force
+	Positive
-	Negative
	Three Phase Static Frequency Converter-Transformer-Rectifier
U₂	Conventional Load Voltage
I₂	Rated Welding Current
U₁	Primary Voltage
Hz	Hertz
I_{1eff}	Maximum Effective Supply Current
U₀	Rated No Load Voltage (OCV)

X	Duty Cycle
%	Percent
3~	Three Phase
==	Direct Current (DC)
S	Suitable For Welding In An Environment With Increased Risk Of Electric Shock
I_{1max}	Rated Maximum Supply Current
IP	Degree Of Protection
	Line Connection
~	Alternating Current (AC)
	Protective Earth (Ground)
	Frame or Chassis
	Circuit Breaker

SECTION 4 – SPECIFICATIONS

4-1. Features And Benefits

LVC™ Line Voltage Compensation is circuitry that keeps the power source output constant regardless of input power fluctuation.

Wind Tunnel Technology™ circulates air over components that require cooling, not over electronic circuitry, which reduces contaminants and improves reliability in harsh welding environments.

Fan-On-Demand™ cooling system operates only when needed, reducing noise, energy use and the amount of contaminants pulled through the machine.

Thermal Overload Protection automatically shuts down the unit, only when necessary to prevent damage to internal components if the duty cycle is exceeded or air flow and cooling are restricted (see Section 4-7).

Auto Remote Sense enables the unit to automatically sense the connection of a remote control. Operation of the remote control is dependent on the Mode Switch Setting (see Section 6-2).

Lift-Arc™ TIG starts provide a contamination free weld without the use of high frequency (see Section 7-3).

Adaptive Hot Start™ for Stick increases the output amperage at the start of a weld to eliminate electrode sticking (see Sections 9-2 and 9-3).

4-2. Arc Controls

Arc Control in Stick Modes allows the arc characteristics, soft versus stiff, to be changed for specific applications and electrodes (see Section 9-2).

Arc Control in Wire Modes influences the arc stiffness, bead width and appearance, and puddle fluidity (see Sections 8-2 and 8-3).

4-3. Serial Number And Rating Label Location

The serial number and rating information for this product is located on the rear panel. Use rating label to determine input power requirements and/or rated output. For future reference, write serial number in space provided on back cover of this manual.

4-4. Unit Specifications

☞ Do not use information in unit specifications table to determine electrical service requirements. See Sections 5-7 and 5-8 for information on connecting input power.

☞ This equipment will deliver rated output at an ambient air temperature up to 104 °F (40 °C).

A. Input Voltage And Current At Rated Output

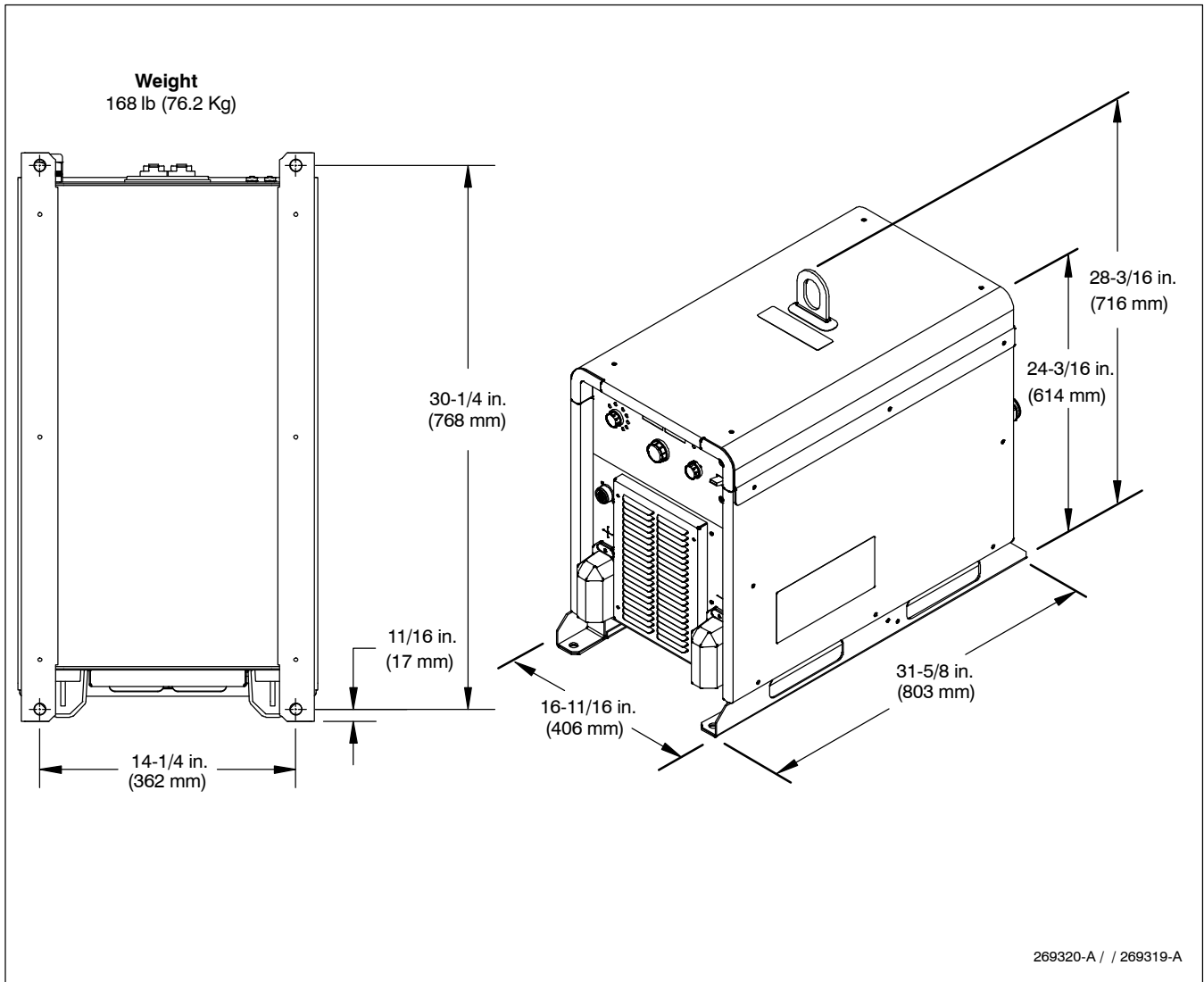
Process	Output Ratings			Amperes Input At Rated Output (50 Hz)		Input Power (50 Hz Three Phase)	
	Current (Amperes)	Voltage (DC)	Duty Cycle (%)	380 VAC	400 VAC	KW	KVA
GTAW (Lift-Arc TIG) GTAW (TIG)	650	34	100	39.1	37.4	24.2	25.8
	750	34	60	45.3	43.2	28.2	29.8
	815	34	25	49.4	46.9	30.6	32.5
SMAW (Stick)	650	44	100	49.9	47.4	30.9	32.8
	750	44	60	57.9	55.0	35.8	38.2
GMAW/FCAW (Gas) FCAW-S (No Gas) SAW (Subarc) CAC-A (Gouge)	650	44	100	49.9	47.4	30.9	32.8
	750	44	60	57.9	55.0	35.8	38.2
	815	44	25	63.5	60.2	39.1	41.8
Idle (Fan Off)	N/A			1.00	1.61	0.084	1.12
Idle (Fan On)	N/A			1.07	1.70	0.183	1.17

B. Output Range

Process		Output Range	Rated No-Load Voltage (U _o)	
			380 VAC	460 VAC
GTAW (Lift-Arc TIG)	Output On	10A–815A	12V	12V
GTAW (TIG)	Remote	10A–815A	61V	72V
SMAW (Stick)	Remote	30A–815A	65V	79V
	Output On	30A–815A	65V*	79V*
CAC-A (Gouge)	Output On	30A–815A	65V*	79V*
GMAW/FCAW (Gas)	Remote	10V–44V	65V	79V
	Output On	10V–44V	65V	79V
FCAW-S (No Gas)	Output On	10V–44V	65V	79V
SAW (Subarc)	Remote	10V–65V	65V	79V

*Unit can be configured to reduce Rated No-Load Voltage - U_r. See Section 6-3 for more information.

4-5. Dimensions and Weight



4-6. Environmental Specifications

A. IP Rating

IP Rating
IP23
This equipment is designed for outdoor use.
IP23 2017-02

B. Information On Electromagnetic Compatibility (EMC)

⚠ This Class A equipment is not intended for use in residential locations where the electrical power is provided by the public low-voltage supply system. There can be potential difficulties in ensuring electromagnetic compatibility in those locations, due to conducted as well as radiated disturbances.

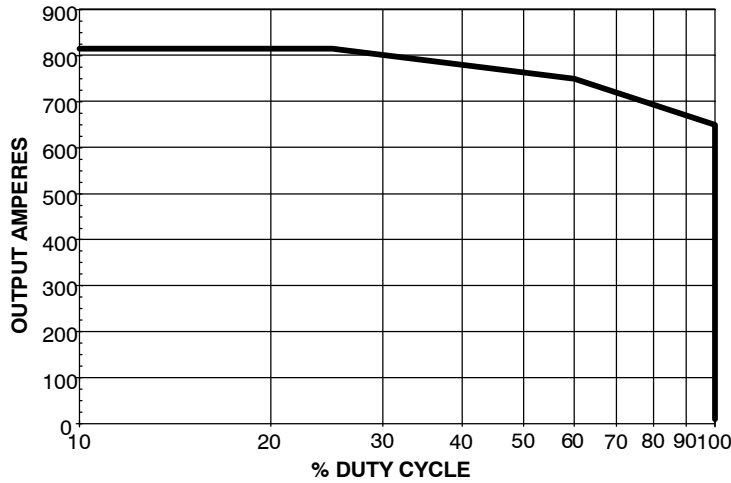
This equipment complies with IEC61000-3-11 and IEC 61000-3-12 and can be connected to public low-voltage systems provided that the public low-voltage system impedance Z_{max} at the point of common coupling is less than 14.74 mΩ (or the short-circuit power S_{sc} is greater than 10,854,131 VA). It is the responsibility of the installer or user of the equipment to ensure, by consultation with the distribution network operator if necessary, that the system impedance complies with the impedance restrictions.

ce-emc 1 2014-07

C. Temperature Specifications

Operating Temperature Range*	Storage/Transportation Temperature Range
14 to 104°F (-10 to 40°C)	-4 to 131°F (-20 to 55°C)
*Output is derated at temperatures above 104°F (40°C).	Temp_2016-07

4-7. Duty Cycle and Overheating

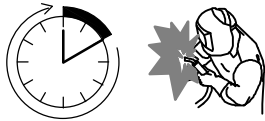


Duty Cycle is percentage of 10 minutes that unit can weld at rated load without overheating.

If unit overheats, output stops, error message is displayed (see Section 11-3), and cooling fan runs. Wait for unit to cool and error message to clear. Reduce amperage or duty cycle before welding.

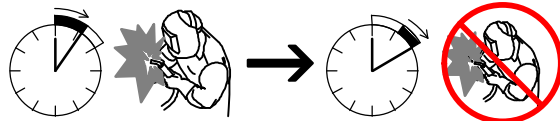
NOTICE – Exceeding duty cycle can damage unit and void warranty.

100% Duty Cycle At 650 Amperes



Continuous Welding

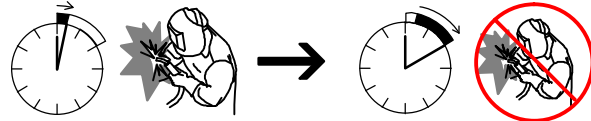
60% Duty Cycle At 750 Amperes



6 Minutes Welding

4 Minutes Resting

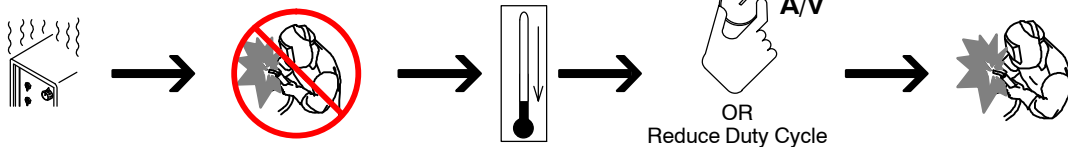
25% Duty Cycle At 815 Amperes



2 1/2 Minutes Welding

7 1/2 Minutes Resting

Overheating



duty1 4/95 – SA-181 560 / 263 638-A

4-8. Static Output Characteristics

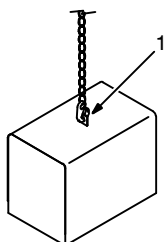
The static (output) characteristics of the welding power source can be described as *flat* during the GMAW, FCAW and SAW processes and *drooping* during the SMAW, CAC-A and GTAW processes. Static characteristics are also affected by control settings (including software), electrode, shielding gas, weldment material, and other factors. Contact the factory for specific information on the static characteristics of the welding power source.

SECTION 5 – INSTALLATION

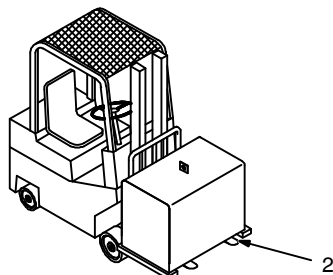
5-1. Selecting A Location



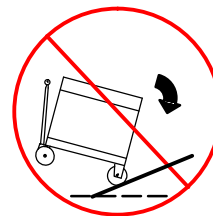
Movement



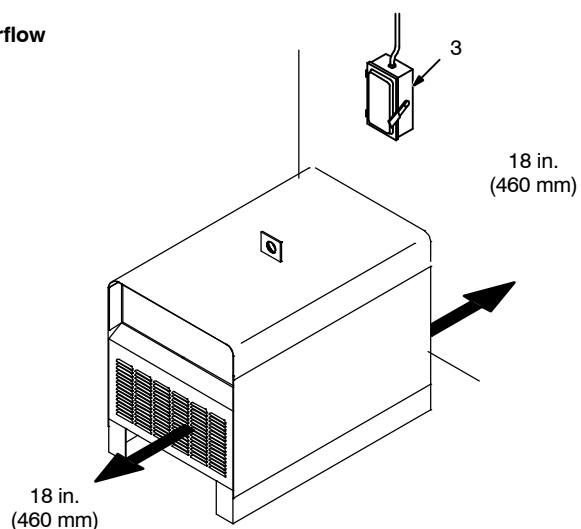
OR



⚠ Do not move or operate unit where it could tip.



Location And Airflow



⚠ Special installation may be required where gasoline or volatile liquids are present – see NEC Article 511 or CEC Section 20.

- 1 Lifting Eye
- 2 Lifting Forks

Use lifting eye or lifting forks to move unit.

If using lifting forks, extend forks beyond opposite side of unit.

- 3 Line Disconnect Device

Locate unit near correct input power supply.

loc_large 2015-04

Notes

5-2. Selecting Cable Sizes*

NOTICE – The Total Cable Length in Weld Circuit (see table below) is the combined length of both weld cables. For example, if the power source is 100 ft (30 m) from the workpiece, the total cable length in the weld circuit is 200 ft (2 cables x 100 ft). Use the 200 ft (60 m) column to determine cable size.

Welding Amperes	Weld Cable Size** and Total Cable (Copper) Length in Weld Circuit Not Exceeding***							
	100 ft (30 m) or Less		150 ft (45 m)	200 ft (60 m)	250 ft (70 m)	300 ft (90 m)	350 ft (105 m)	400 ft (120 m)
	10 – 60% Duty Cycle AWG (mm ²)	60 – 100% Duty Cycle AWG (mm ²)	10 – 100% Duty Cycle AWG (mm ²)					
100	4 (20)	4 (20)	4 (20)	3 (30)	2 (35)	1 (50)	1/0 (60)	1/0 (60)
150	3 (30)	3 (30)	2 (35)	1 (50)	1/0 (60)	2/0 (70)	3/0 (95)	3/0 (95)
200	3 (30)	2 (35)	1 (50)	1/0 (60)	2/0 (70)	3/0 (95)	4/0 (120)	4/0 (120)
250	2 (35)	1 (50)	1/0 (60)	2/0 (70)	3/0 (95)	4/0 (120)	2x2/0 (2x70)	2x2/0 (2x70)
300	1 (50)	1/0 (60)	2/0 (70)	3/0 (95)	4/0 (120)	2x2/0 (2x70)	2x3/0 (2x95)	2x3/0 (2x95)
350	1/0 (60)	2/0 (70)	3/0 (95)	4/0 (120)	2x2/0 (2x70)	2x3/0 (2x95)	2x3/0 (2x95)	2x4/0 (2x120)
400	1/0 (60)	2/0 (70)	3/0 (95)	4/0 (120)	2x2/0 (2x70)	2x3/0 (2x95)	2x4/0 (2x120)	2x4/0 (2x120)
500	2/0 (70)	3/0 (95)	4/0 (120)	2x2/0 (2x70)	2x3/0 (2x95)	2x4/0 (2x120)	3x3/0 (3x95)	3x3/0 (3x95)
600	3/0 (95)	4/0 (120)	2x2/0 (2x70)	2x3/0 (2x95)	2x4/0 (2x120)	3x3/0 (3x95)	3x4/0 (3x120)	3x4/0 (3x120)
700	4/0 (120)	2x2/0 (2x70)	2x3/0 (2x95)	2x4/0 (2x120)	3x3/0 (3x95)	3x4/0 (3x120)	3x4/0 (3x120)	4x4/0 (4x120)
800	4/0 (120)	2x2/0 (2x70)	2x3/0 (2x95)	2x4/0 (2x120)	3x4/0 (3x120)	3x4/0 (3x120)	4x4/0 (4x120)	4x4/0 (4x120)
900	2x2/0 (2x70)	2x3/0 (2x95)	2x4/0 (2x120)	3x3/0 (3x95)				

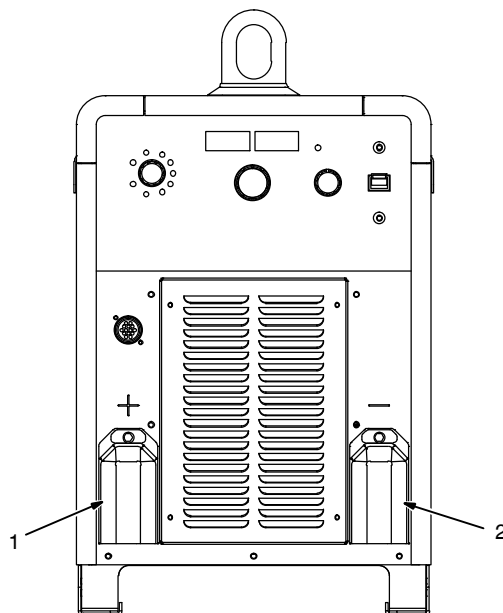
* This chart is a general guideline and may not suit all applications. If cable overheats, use next size larger cable.

**Weld cable size (AWG) is based on either a 4 volts or less drop or a current density of at least 300 circular mils per ampere.
() = mm² for metric use

***For distances longer than those shown in this guide, call a factory applications rep. at 920-735-4505 (Miller) or 1-800-332-3281 (Hobart).

Ref. S-0007-L 2015-02

5-3. Weld Output Terminals



⚠ Turn off power before connecting to weld output terminals.

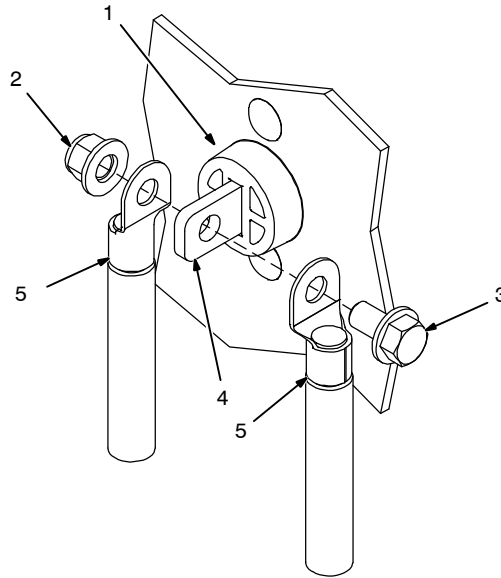
⚠ Do not use worn, damaged, undersized, or repaired cables.

- 1 Positive (+) Weld Output Terminal
- 2 Negative (-) Weld Output Terminal

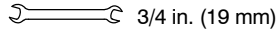
☞ See Section 5-4 for information on connecting to weld output terminals, and Sections 7-1 thru 10-1 for standard connection diagrams.

output term1 2015-02

5-4. Connecting Weld Output Cables



Tools Needed:



269322-A

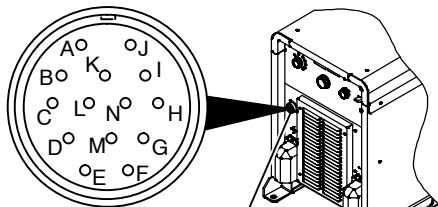
- ⚠ Turn off power before connecting to weld output terminals.**
- ⚠ Failure to properly connect weld cables may cause excessive heat and start a fire, or damage your machine.**
- ⚠ Use correct size weld cables (see Section 5-2).**

- 1 Weld Output Terminal
- 2 Supplied Weld Output Terminal Nut
- 3 Supplied Weld Output Terminal Bolt
- 4 Copper Bar
- 5 Weld Cable Terminal

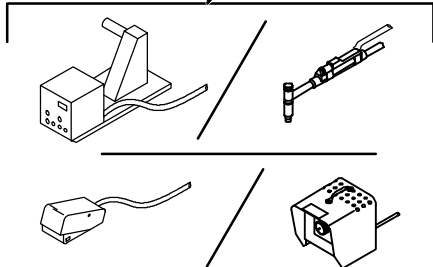
Remove supplied Bolt and nut from weld output terminal. Secure weld cable termi-



nals to weld output terminal with nut and bolt as shown, so that weld cable terminal is tight against copper bar. **Do not place anything between weld cable terminal and copper bar. Make sure that the surfaces of the weld cable terminal and copper bar are clean.**

5-5. Remote 14 Receptacle Information



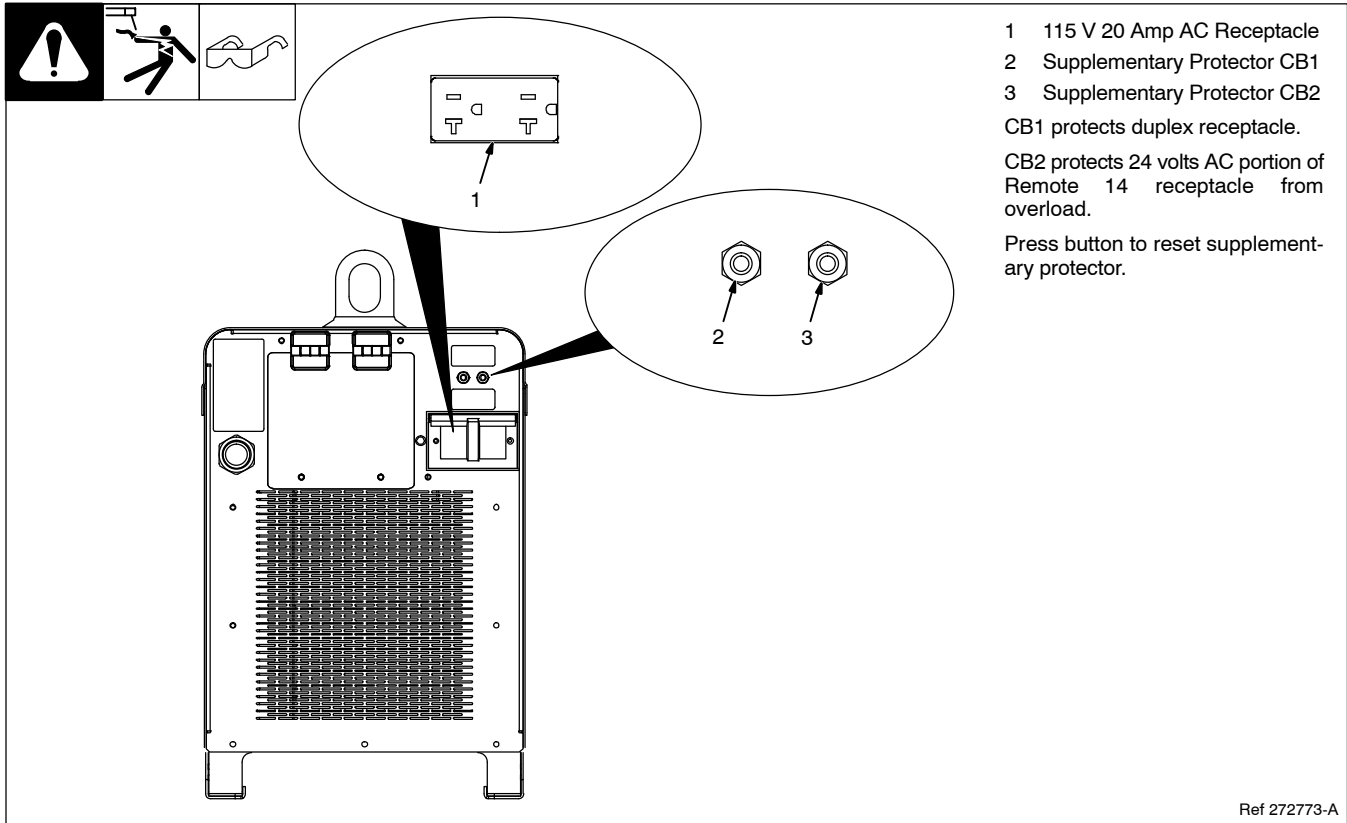
Ref. 269319-A



 REMOTE 14	Socket*	Socket Information
24 VOLTS AC  OUTPUT (CONTACTOR)	A	24 volts AC. Protected by supplementary protector or CB2.
	B	Contact closure to A completes 24 volts AC contactor control circuit.
REMOTE CONTROL	C	Output to remote control; +10 volts DC.
	D	Remote control circuit common.
	E	0 to +10 volts DC input command signal from remote control.
A/V AMPERAGE VOLTAGE	F	Current feedback; +1 volt DC per 100 amperes.
	H	Voltage feedback; +1 volt DC per 10 arc volts.
GND	G	Circuit common for 24 volt AC circuit.
	K	Chassis common.

*The remaining sockets are not used.

5-6. Supplementary Protector



5-7. Electrical Service Guide

Elec Serv 2017-01

NOTICE – INCORRECT INPUT POWER can damage this welding power source. This welding power source requires a CONTINUOUS supply of input power at rated frequency ($\pm 10\%$) and voltage ($\pm 10\%$). Phase to ground voltage shall not exceed $+10\%$ of rated input voltage. Do not use a generator with automatic idle device (that idles engine when no load is sensed) to supply input power to this welding power source.

NOTICE – Actual input voltage should not be 10% less than minimum and/or 10% more than maximum input voltages listed in table. If actual input voltage is outside this range, output may not be available.

⚠ Failure to follow these electrical service guide recommendations could create an electric shock or fire hazard. These recommendations are for a dedicated circuit sized for the rated output and duty cycle of the welding power source.

In dedicated circuit installations, the National Electrical Code (NEC) allows the receptacle or conductor rating to be less than the rating of the circuit protection device. All components of the circuit must be physically compatible. See NEC articles 210.21, 630.11, and 630.12.

⚠ CE-marked equipment shall only be used on a supply network that is a three-phase, four-wire system with an earthed neutral.

	50/60 Hz Three Phase	
	380	400
Input Voltage (V)	380	400
Rated Maximum Supply Current I_{1max} (A)	63.5	60.2
Maximum Effective Supply Current I_{1eff} (A)	49.9	47.4
Max Recommended Standard Fuse Rating In Amperes ¹		
Time-Delay Fuses ²	70	70
Normal Operating Fuses ³	100	90
Min Input Conductor Size In AWG ⁴	8	8
Max Recommended Input Conductor Length In Feet (Meters)	138 (42)	153 (47)
Min Grounding Conductor Size In AWG ⁴	8	8

Reference: 2017 National Electrical Code (NEC) (including article 630)

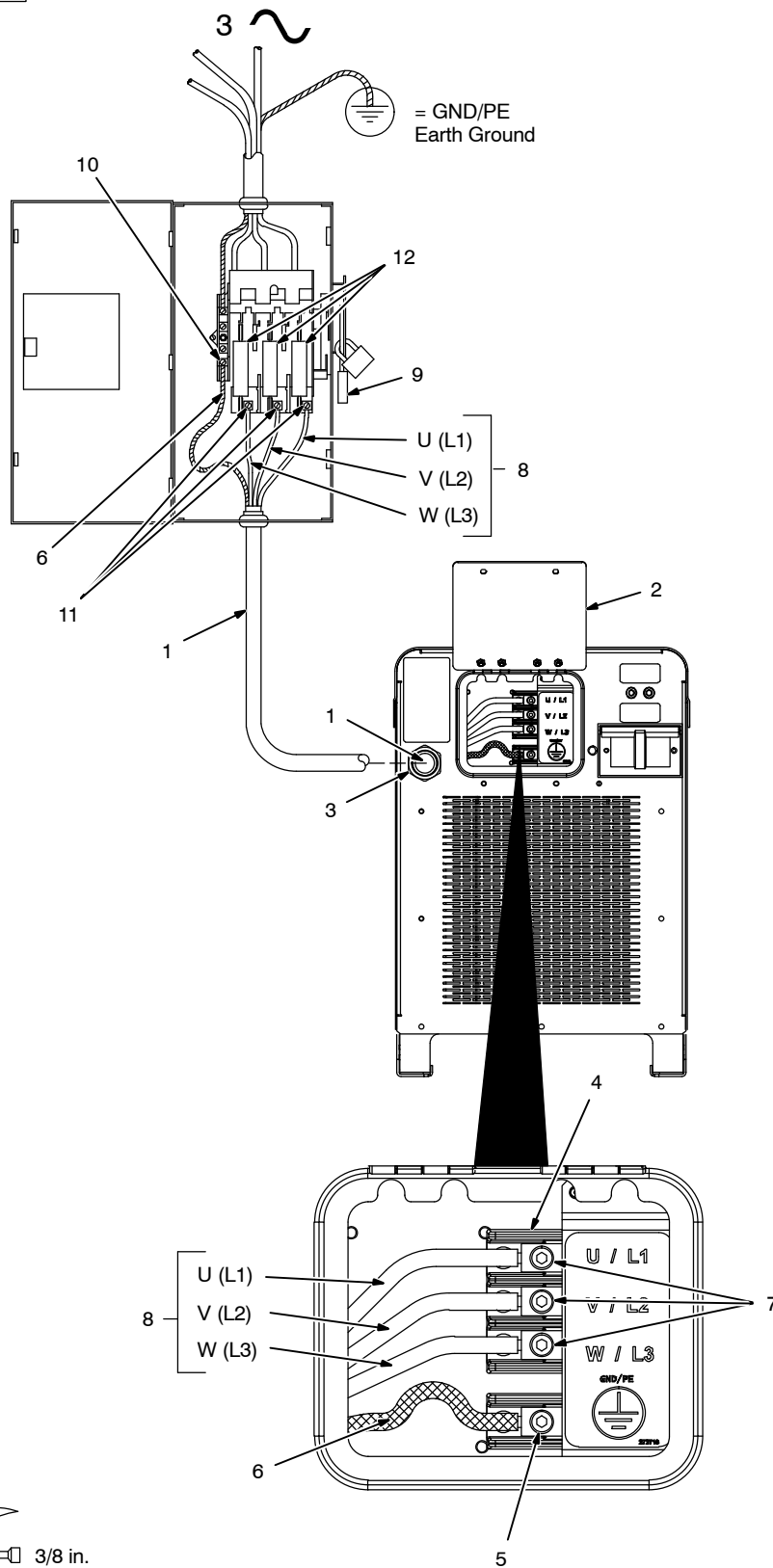
1 If a circuit breaker is used in place of a fuse, choose a circuit breaker with time-current curves comparable to the recommended fuse.

2 "Time-Delay" fuses are UL class "RK5". See UL 248.

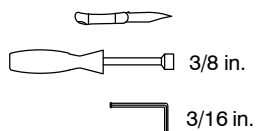
3 "Normal Operating" (general purpose - no intentional delay) fuses are UL class "K5" (up to and including 60 amps), and UL class "H" (65 amps and above).

4 Conductor data in this section specifies conductor size (excluding flexible cord or cable) between the panelboard and the equipment per NEC Table 310.15(B)(16) and is based on allowable ampacities of insulated copper conductors having a temperature rating of 167°F (75°C) with not more than three single current-carrying conductors in a raceway. If a flexible cord or cable is used, minimum conductor size may increase. See NEC Table 400.5(A) for flexible cord and cable requirements.

5-8. Connecting Input Power



Tools Needed:



SECTION 6 – GENERAL OPERATION

6-1. Front Panel

Miller Dimension™ 650

MILLER ELECTRIC MFG. CO.
APPLETON, WI USA







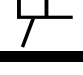


263561-B / Ref. 269321-B

1 Remote 14 Receptacle
2 Left Display
3 Right Display
4 Adjust Control
5 Power Switch
6 Arc Control
7 Remote In Use Indicator
8 Mode Switch
9 Weld Output Terminal (-)
10 Weld Output Terminal (+)

Weld process operation sections describe functionality of the identified items (See Sections 7-1 thru 9-4).

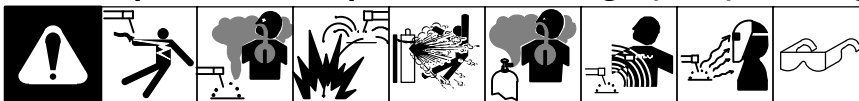
The meters display the actual weld output values after arc initiation and remains displayed for approximately three seconds after the arc is broken.

6-2. Mode Switch Settings

Switch Position	Process	Output Control	Panel Adjust	Remote Adjust
	GMAW/FCAW Gas	Output On	Volts	Volts
	FCAW-S No-Gas	Output On	Volts	Volts
	SMAW Stick	Output On	Amps	No Remote Adjust - Panel Only*
	CAC-A Gouge	Output On	Amps	No Remote Adjust - Panel Only*
	GTAW Lift-Arc TIG	Output On	Amps	% Panel Amps
	GTAW TIG	Remote 14	Amps	% Panel Amps
	SMAW Stick	Remote 14	Amps	% Panel Amps
	SAW Subarc	Remote 14	Volts	Volts
	GMAW/FCAW Gas	Remote 14	Volts	Volts

*See Section 6-4 For Alternate Configuration Functions.

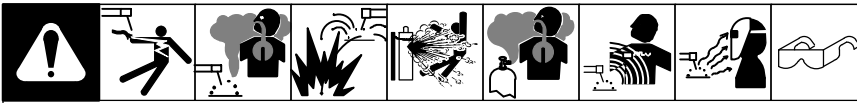
6-3. Optional Low Open Circuit Voltage (OCV) Welding Modes



Low OCV Operation

The unit can be optionally configured for low open circuit voltage (OCV) operation in SMAW (Stick) and CAC-A (Gouge) Output-On modes. When the unit is configured for low OCV operation, a low sensing voltage (approximately 12 VDC) is present between the electrode and the workpiece prior to the electrode touching the workpiece. Consult a Factory Authorized Agent for information regarding how to configure unit for low OCV welding operation.


6-4. Alternate Configuration Functions



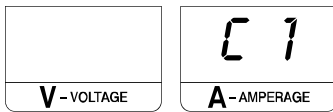
The function of the remote control and panel meters can be changed on this machine.

To view or change the active configuration:

- Place the process selection switch into SMAW (Stick) Output-On mode.
- Quickly tap (press and release) the wire feeder gun trigger or remote output on-off switch 3 to 5 times within a few seconds to view the active configuration.
- Repeat the tapping sequence to switch to the next configuration. The right meter will briefly display the new configuration before returning to the preset display.

 Do not turn power off for at least 5 seconds to ensure the new configuration is saved. If supported, Preflow must be disabled on the wire feeder to recognize gun trigger taps.

Alternate configurations are explained below. See Section 6-2 for default configuration operation.



SMAW (Stick), CAC-A (Gouge), and SMAW (Stick) Remote: The right meter displays the preset amperage set with the panel Adjust Control. When connected, the remote control sets the percentage of preset amperage. The Remote In Use indicator is lit while the remote control is connected.



This is the default configuration as shipped from the factory.


SMAW (Stick) and CAC-A (Gouge): The remote amperage control is ignored. The Remote In Use indicator is not lit. The right meter displays the preset amperage.

SMAW (Stick) Remote: The right meter displays the preset amperage set with the panel Adjust Control. When connected, the remote control sets the percentage of preset amperage. The Remote In Use indicator is lit while the remote control is connected.



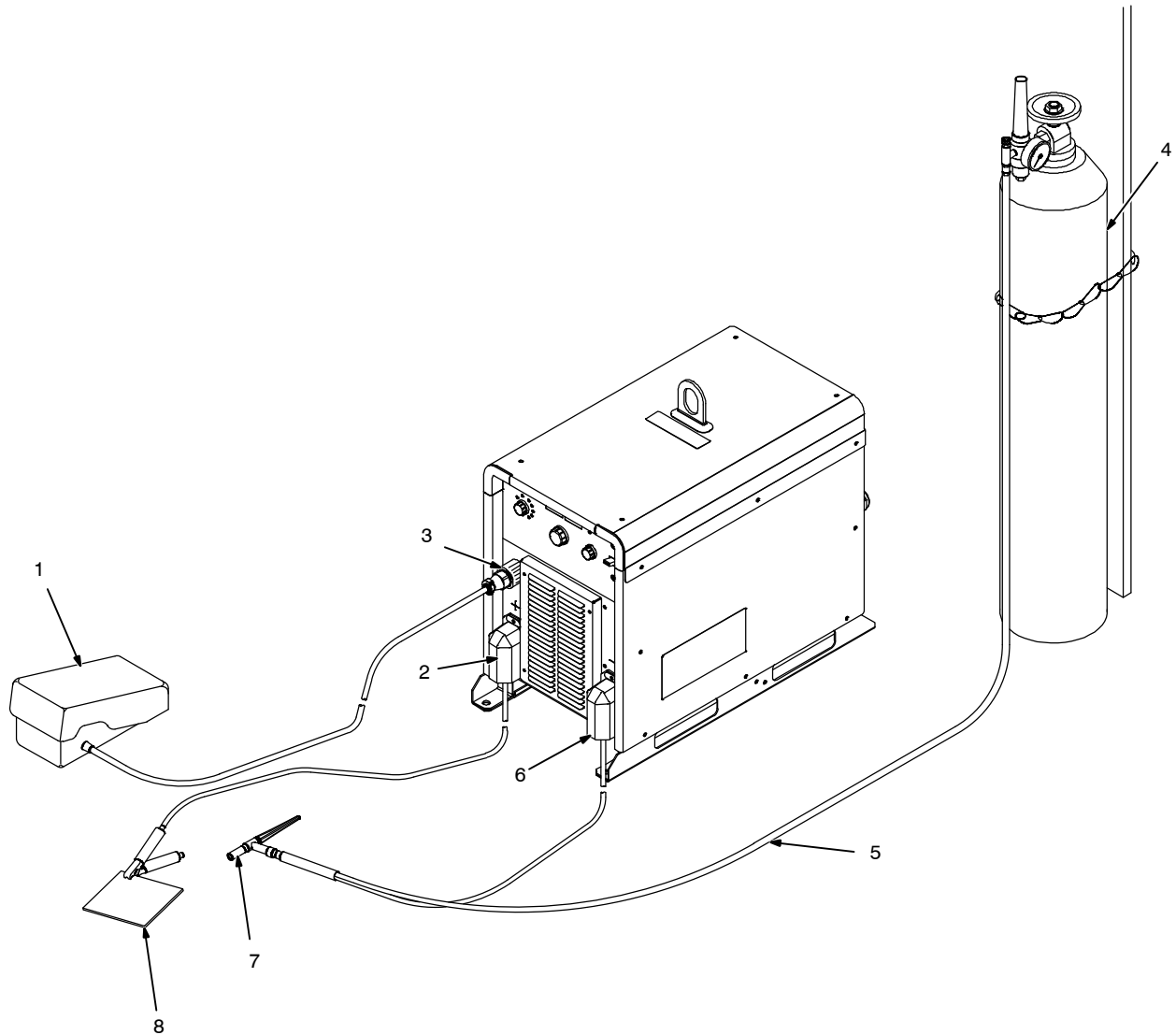
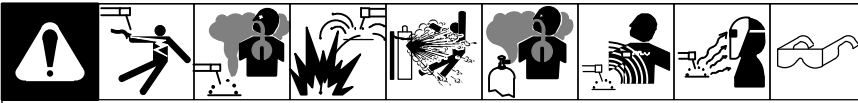
SMAW (Stick) and CAC-A (Gouge): The remote amperage control is ignored. The Remote In Use indicator is not lit. The right meter displays the preset amperage.

SMAW (Stick) Remote: The right meter displays the percentage of preset amperage with a remote connected. The remote control sets the percentage of preset amperage. The Remote In Use indicator is lit while the remote control is connected. Turning the panel Adjust Control will briefly display the preset amperage for 100%.

 Configurations 2 and 3 prevent a wire feeder from affecting the preset amperage of the Stick and Gouge Output-On modes.

SECTION 7 – GTAW OPERATION

7-1. Typical Connection For GTAW Process



269325-A

⚠ Turn off power before making connections.

1 Foot Control

2 Positive (+) Weld Output Terminal

3 Remote 14 Receptacle

Connect desired remote control to Remote 14 receptacle if required.

4 Gas Cylinder

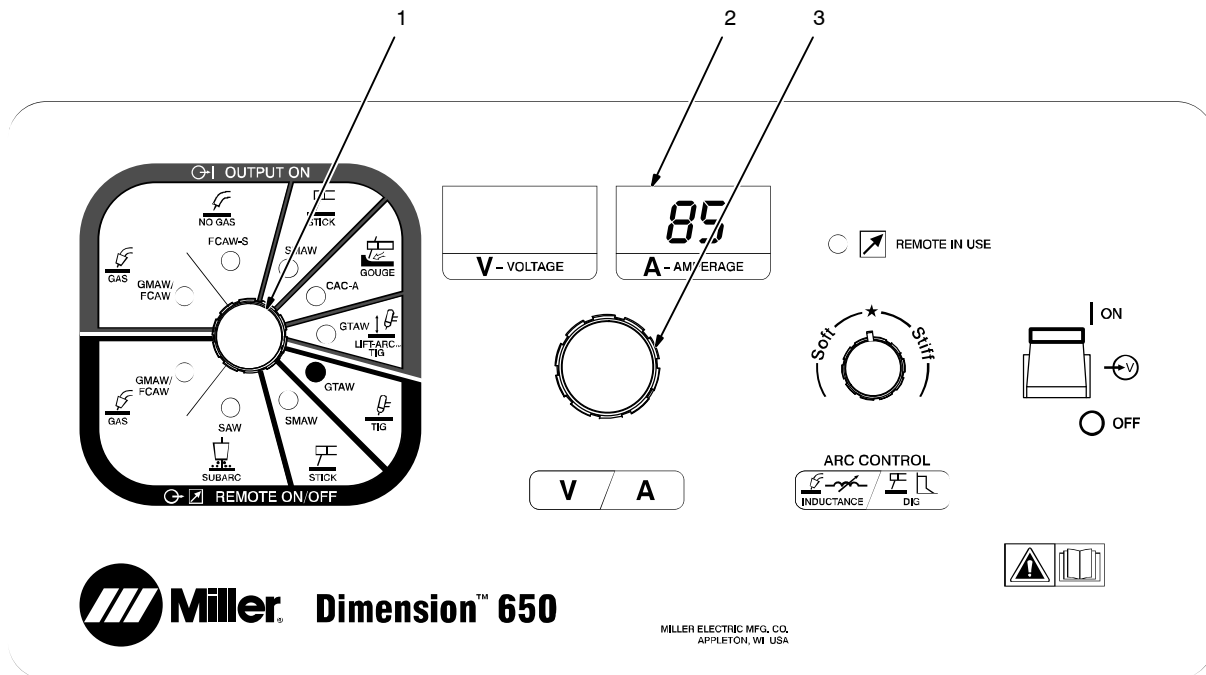
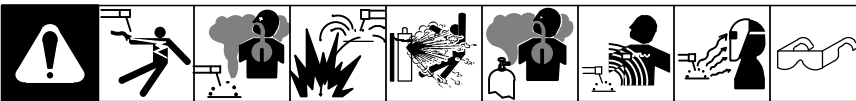
5 Gas Hose

6 Negative (-) Weld Output Terminal

7 TIG Torch

8 Workpiece

7-2. GTAW - TIG Remote Welding Mode



263561-B

⚠ Weld terminals are energized through the remote control in GTAW - TIG Remote welding mode.

- 1 Mode Switch
- 2 Right Display
- 3 Adjust Control

Setup

For typical system connections refer to Section 7-1.

Rotate Mode Switch to GTAW - TIG Remote position as shown.

The preset amperage is shown in the Right Display.

Operation

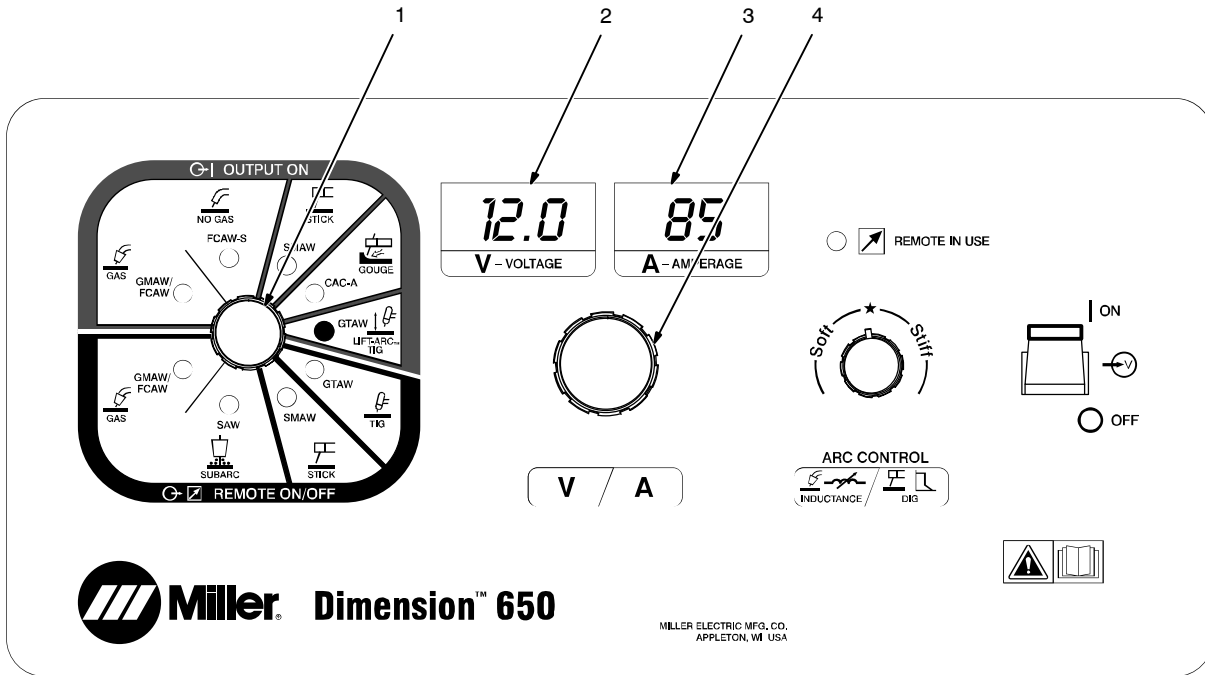
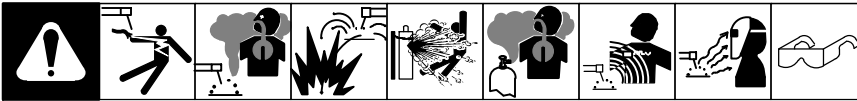
The Adjust Control is used to set desired preset amperage.

A remote control is required to turn on the weld output.

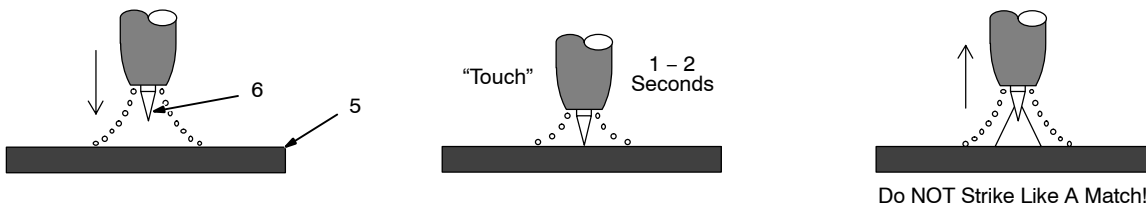
ℹ If the remote control has an amperage adjustment, the adjustment will function as a percentage of the preset amperage. The Remote In Use indicator will be lit.

ℹ For best results, gently scratch the tungsten electrode to the work to initiate an arc. To minimize arc flare at the end of the weld, pull back the electrode quickly to extinguish the arc.

7-3. GTAW - Lift-Arc TIG Output-On Welding Mode



263561-B



⚠ Weld terminals are energized at all times in GTAW - Lift-Arc TIG Output-On welding mode.

- 1 Mode Switch
- 2 Left Display
- 3 Right Display
- 4 Adjust Control
- 5 Workpiece
- 6 Tungsten Electrode

Setup

For typical system connections refer to Section 7-1.

Rotate Mode Switch to GTAW - LIFT-ARC TIG Output-On position as shown.

The open-circuit voltage is shown in the Left Display. Preset amperage is shown in the Right Display.

Normal open-circuit voltage is not present before the electrode touches the workpiece, instead a low sensing voltage is present. The sensing voltage allows the electrode to touch the workpiece without overheating, sticking, or getting contaminated.

Operation

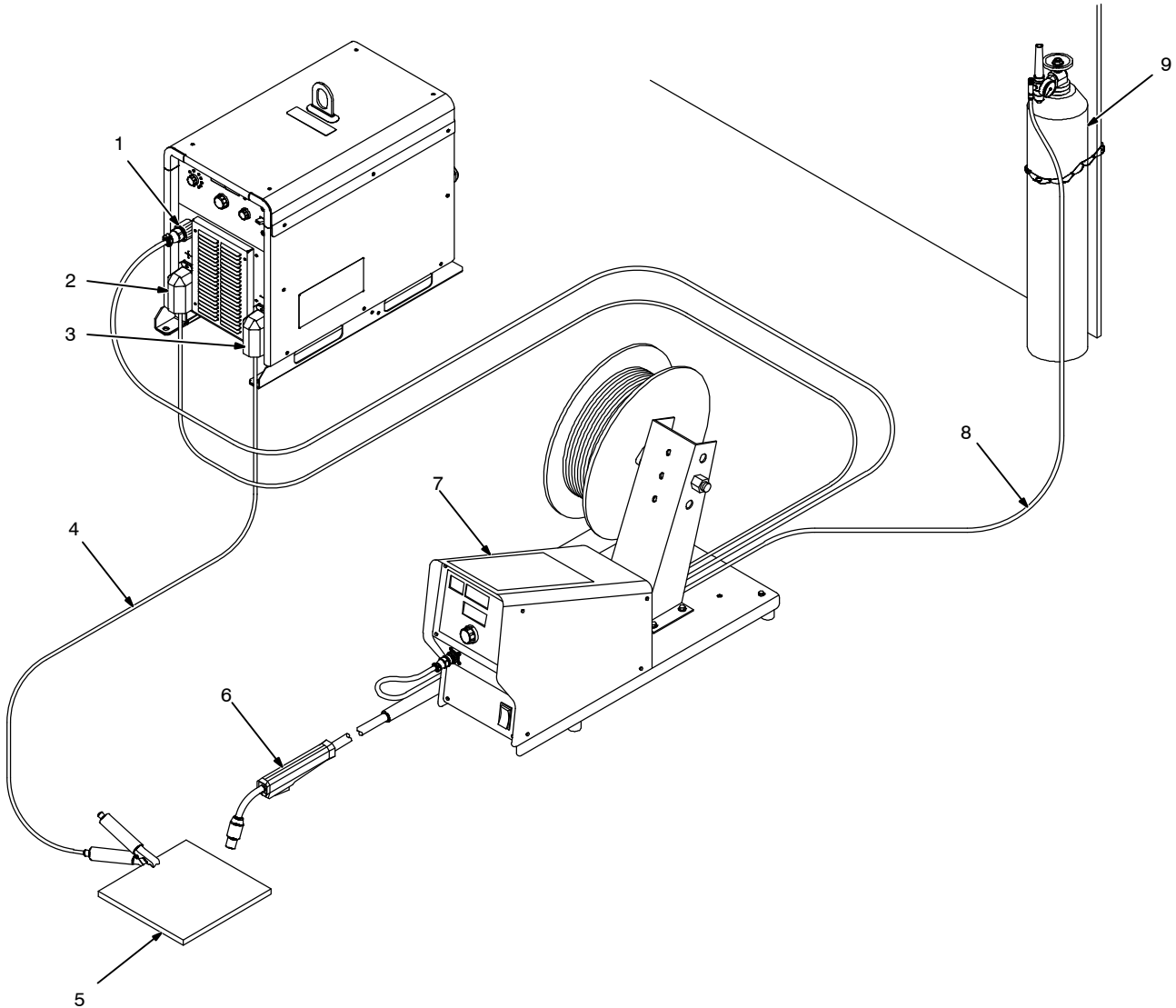
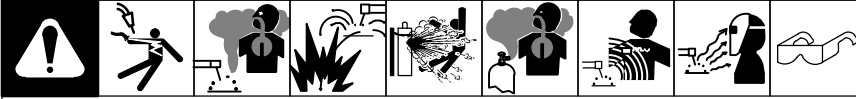
The Adjust Control is used to set desired preset amperage.

☞ If a remote control is used for amperage adjustment, the adjustment will function as a percentage of the preset amperage. The Remote In Use indicator will be lit.

☞ For best results, firmly touch the tungsten electrode to the workpiece at the weld start point. Hold electrode to workpiece for 1-2 seconds, and lift electrode. An arc will form when the electrode is lifted. To minimize arc flare at the end of the weld, pull back the electrode quickly to extinguish the arc.

SECTION 8 – GMAW/FCAW OPERATION

8-1. Typical Connection For Remote Control Feeder GMAW/FCAW Process



269323-A

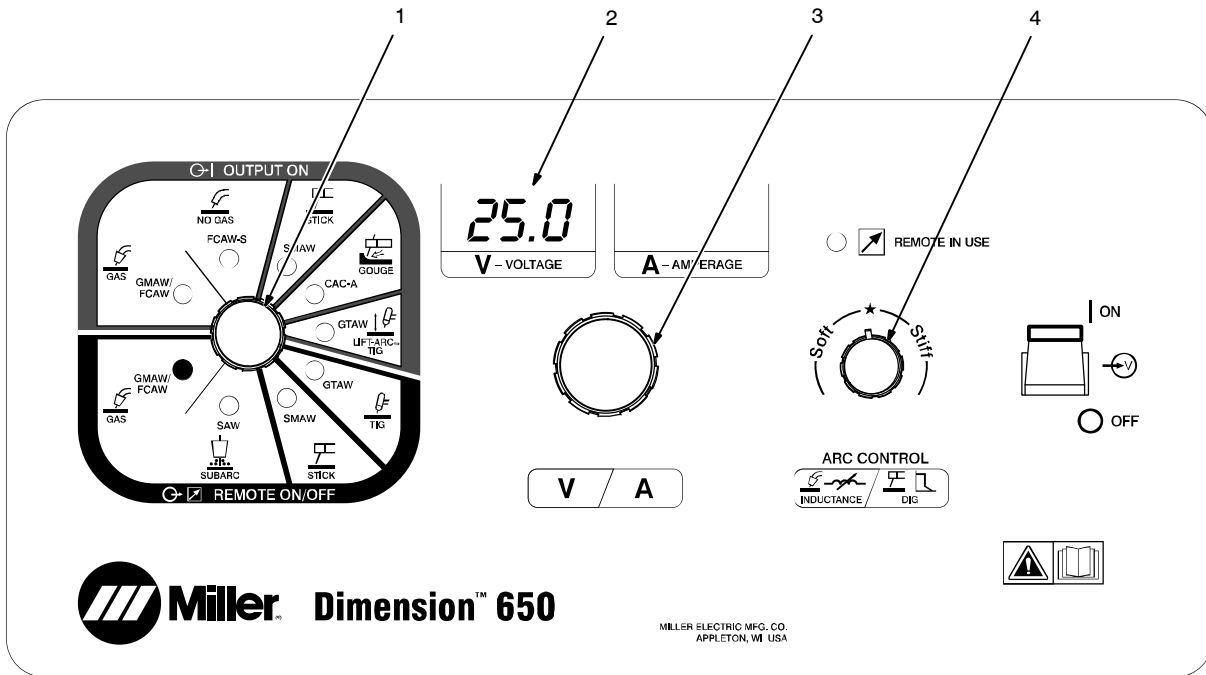
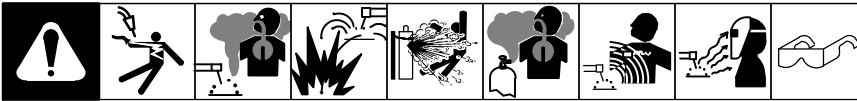
- ⚠ Turn off power before making connections.**
- 1 Remote 14-Receptacle
 - 2 Positive (+) Weld Output Terminal
 - 3 Negative (-) Weld Output Terminal
 - 4 Ground Cable to Workpiece

- 5 Workpiece
- 6 Gun
- 7 Wire Feeder
- 8 Gas Hose
- 9 Gas Cylinder

Use of shielding gas is dependant on Wire Type.

☞ The connection diagram illustrates DCEP (reverse polarity) suitable for all wires except self-shielded FCAW. The majority of self-shielded FCAW wires require DCEN (straight polarity).

8-2. GMAW/FCAW - Remote Welding Mode



263561-B

⚠ Weld terminals are energized through the remote control in GMAW/FCAW Remote welding mode.

- 1 Mode Switch
- 2 Left Display
- 3 Adjust Control
- 4 Arc Control

Setup

For typical system connections refer to Section 8-1.

Rotate Mode Switch to GMAW/FCAW Remote position as shown.

The preset voltage is shown in the Left Display.

Operation

The Adjust Control is used to set desired preset voltage.

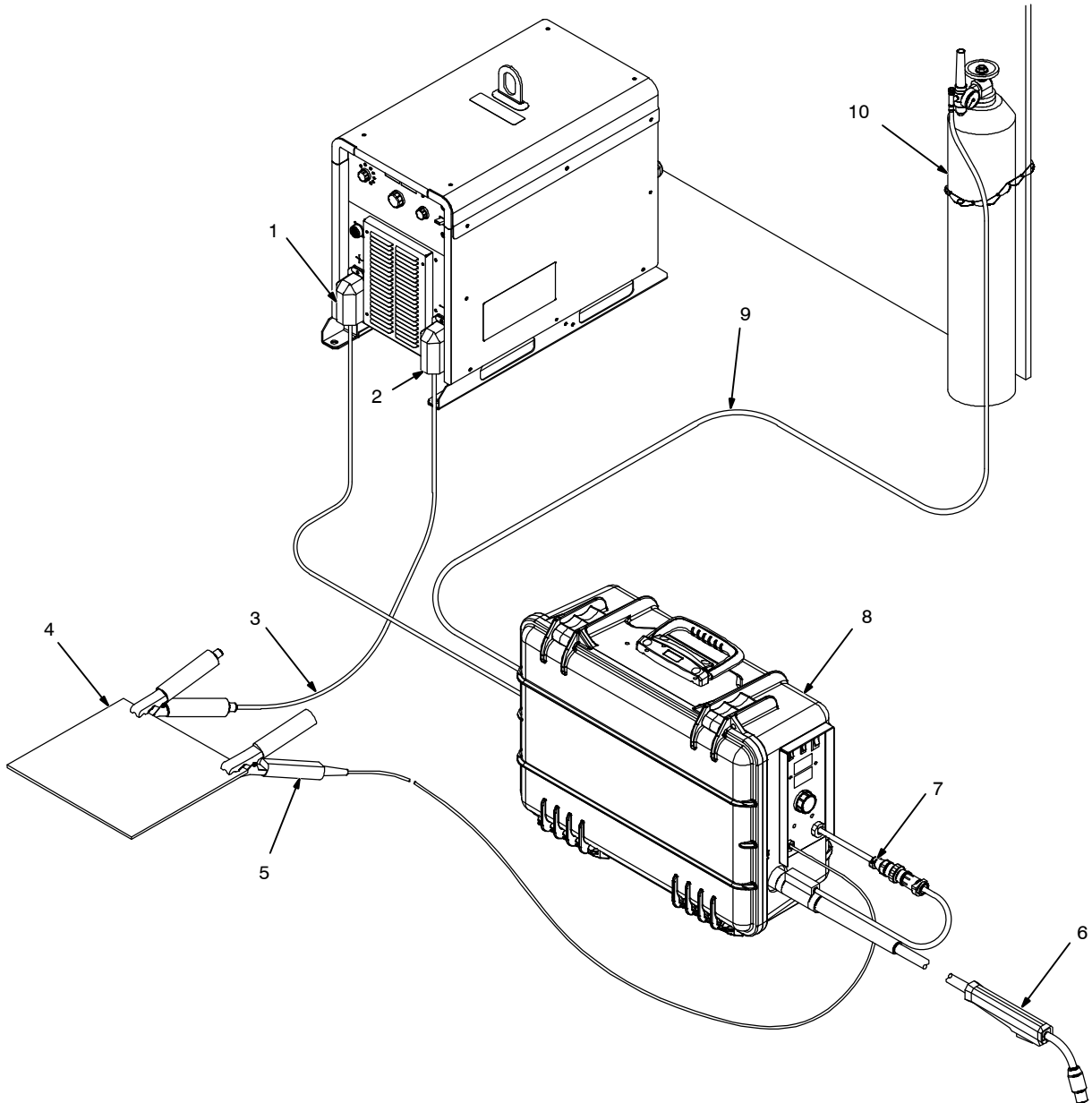
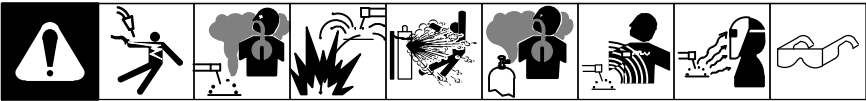
☞ The preset voltage can be adjusted remotely at the wire feeder if the feeder has a voltage control. This voltage con-

trol will override the Adjust Control of preset voltage on the welding power source. The Remote In Use indicator will be lit.

Arc Control

Arc control allows the arc characteristics, soft versus stiff, to be changed for specific applications and wires. The *star* setting is good for most applications. Use soft settings (0–25) to soften the arc and increase puddle fluidity. Use stiff settings (0–25) to stiffen the arc and reduce puddle fluidity.

8-3. Typical Connection For Voltage-Sensing Feeder GMAW/FCAW Process



269324-A

⚠ Turn off power before making connections.

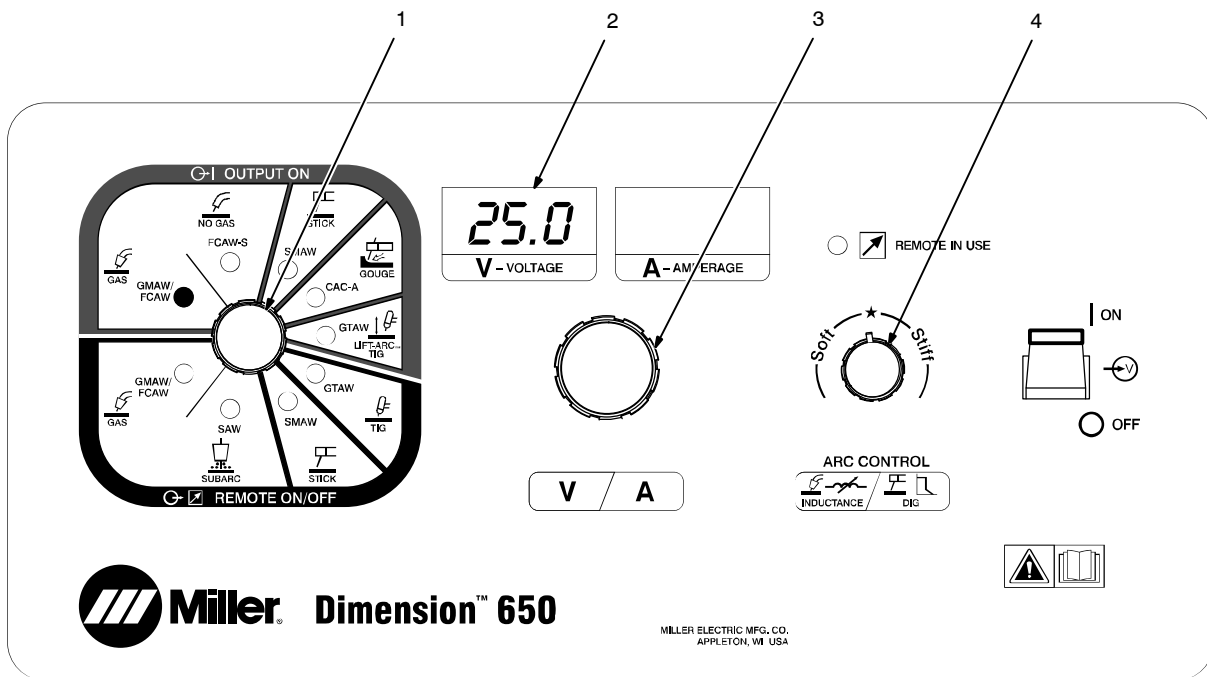
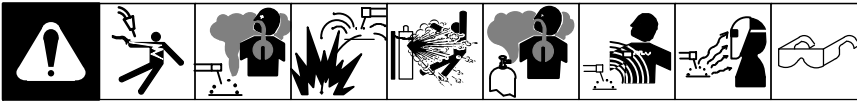
- 1 Positive (+) Weld Output Terminal
- 2 Negative (-) Weld Output Terminal
- 3 Ground Cable to Workpiece
- 4 Workpiece
- 5 Voltage Sensing Clamp

- 6 Gun
- 7 Gun Trigger Receptacle
- 8 Wire Feeder
- 9 Gas Hose
- 10 Gas Cylinder

Use of shielding gas is dependant on Wire Type.

☞ The connection diagram illustrates DCEP (reverse polarity) suitable for all wires except self-shielded FCAW. The majority of self-shielded FCAW wires require DCEN (straight polarity).

8-4. GMAW/FCAW - (Gas) Output-On Welding Mode



Miller Dimension™ 650

MILLER ELECTRIC MFG. CO.
APPLETON, WI USA

263561-B

⚠ Weld terminals are energized at all times in GMAW/FCAW (Gas) Output-On welding mode.

- 1 Mode Switch
- 2 Left Display
- 3 Adjust Control
- 4 Arc Control

Setup

For typical system setup connections refer to Section 8-3.

Rotate Mode Switch to GMAW/FCAW (Gas) Output-On position as shown.

The Left Display toggles between open circuit voltage and preset voltage.

Operation

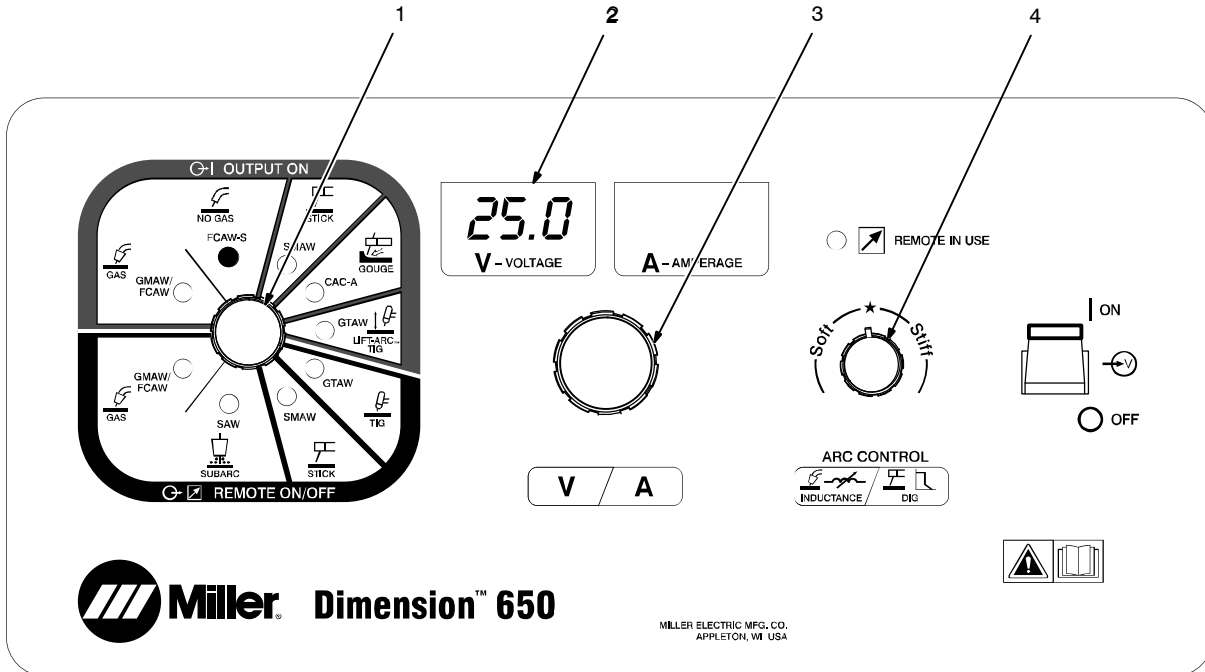
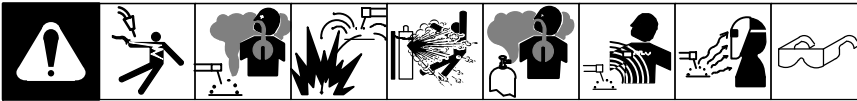
The Adjust Control is used to set desired preset voltage.

The Left Display toggling momentarily pauses while the preset voltage is adjusted.

Arc Control

Arc control allows the arc characteristics, soft versus stiff, to be changed for specific applications and wires. The *star* setting is good for most applications. Use soft settings (0–25) to soften the arc and increase puddle fluidity. Use stiff settings (0–25) to stiffen the arc and reduce puddle fluidity.

8-5. FCAW-S (No Gas) Output-On Welding Mode



Miller Dimension™ 650

MILLER ELECTRIC MFG. CO.
APPLETON, WI USA

263561-B

⚠ Weld terminals are energized at all times in FCAW-S (No Gas) Output-On welding mode.

- 1 Mode Switch
- 2 Left Display
- 3 Adjust Control
- 4 Arc Control

Setup

For typical system setup connections refer to Section 8-3.

Rotate Mode Switch to FCAW-S (No Gas) Output-On position as shown.

The Left Display toggles between open circuit voltage and preset voltage.

Operation

The Adjust Control is used to set desired preset voltage.

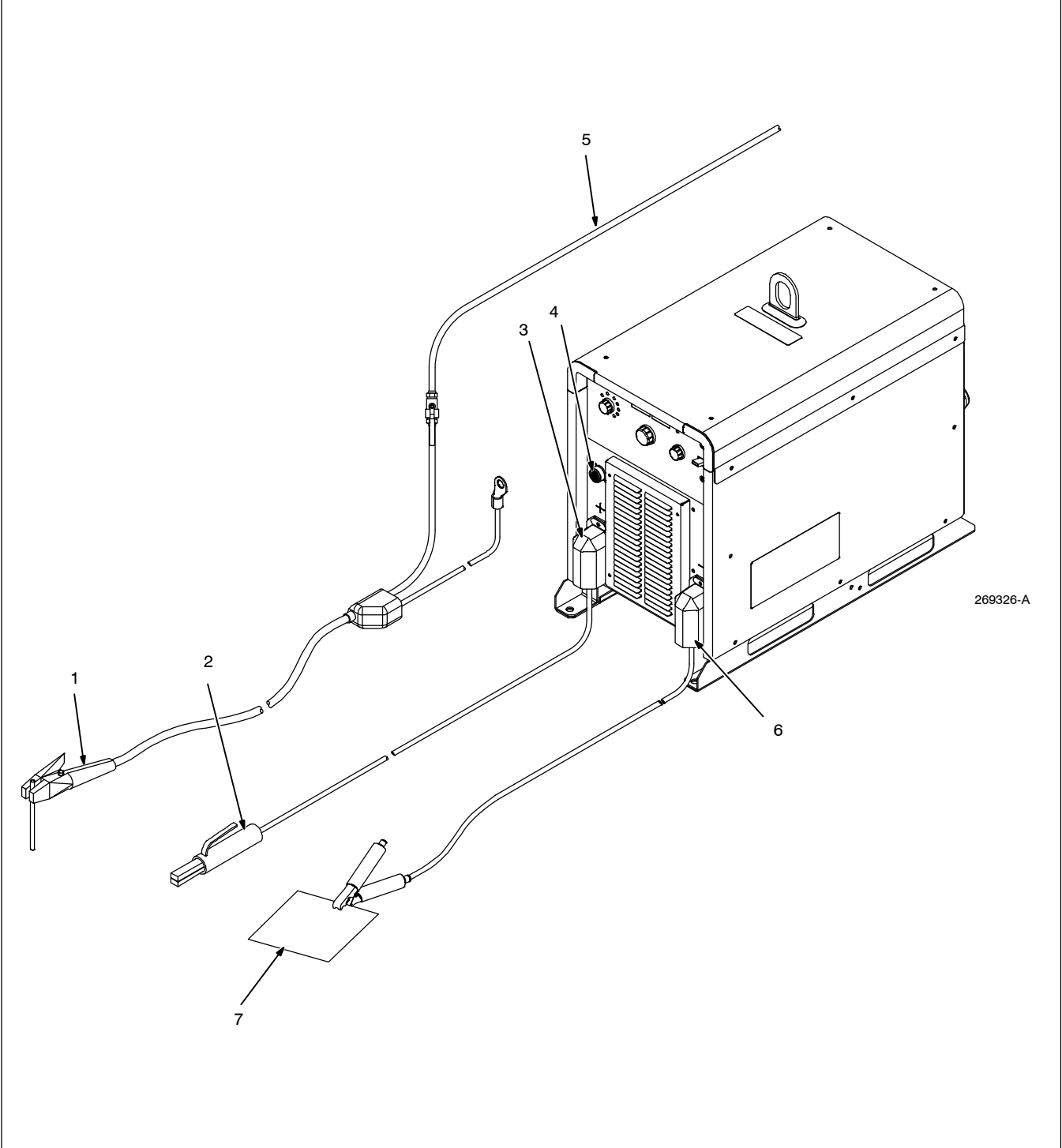
☞ The Left Display toggling momentarily pauses while the preset voltage is adjusted.

Arc Control

Arc control allows the arc characteristics, soft versus stiff, to be changed for specific applications and wires. The *star* setting is good for most applications. Use soft settings (0–25) to soften the arc and increase puddle fluidity. Use stiff settings (0–25) to stiffen the arc and reduce puddle fluidity.

SECTION 9 – SMAW/CAC-A OPERATION

9-1. Typical Connection For SMAW And CAC-A Process



269326-A

⚠ Turn off power before making connections.

1 Electrode Holder (Carbon Arc)

For CAC-A process connect carbon arc

cutting torch to positive weld output terminal.

- 2 Electrode Holder
- 3 Positive (+) Weld Output Terminal
- 4 Remote 14 Receptacle

Connect desired remote control to remote 14 receptacle as required.

- 5 Compressed Air Line
- 6 Negative (-) Weld Output Terminal
- 7 Workpiece

9-2. SMAW - Stick Remote Welding Mode

Miller Dimension™ 650

MILLER ELECTRIC MFG. CO.
APPLETON, WI USA

⚠ Weld terminals are energized through the remote control in SMAW - Stick Remote welding mode.

- 1 Mode Switch
- 2 Right Display
- 3 Adjust Control
- 4 Arc Control

Setup

For typical system connections refer to Section 9-1.

Rotate Mode Switch to SMAW - Stick Remote position as shown.

The preset amperage is shown in the Right Display with the Amps Indicator lit.

Operation

The Adjust Control is used to set desired preset amperage.

A remote control is required to turn on the weld output.

☞ If the remote control has an amperage adjustment, the adjustment will function as a percentage of the preset amperage. The Remote In Use indicator will be lit.

Adaptive Hot Start automatically increases welding amperage at the start of a weld. This helps eliminate electrode sticking during arc initiation.

☞ For best results at the end of the weld, pull back the electrode quickly to extinguish the arc.

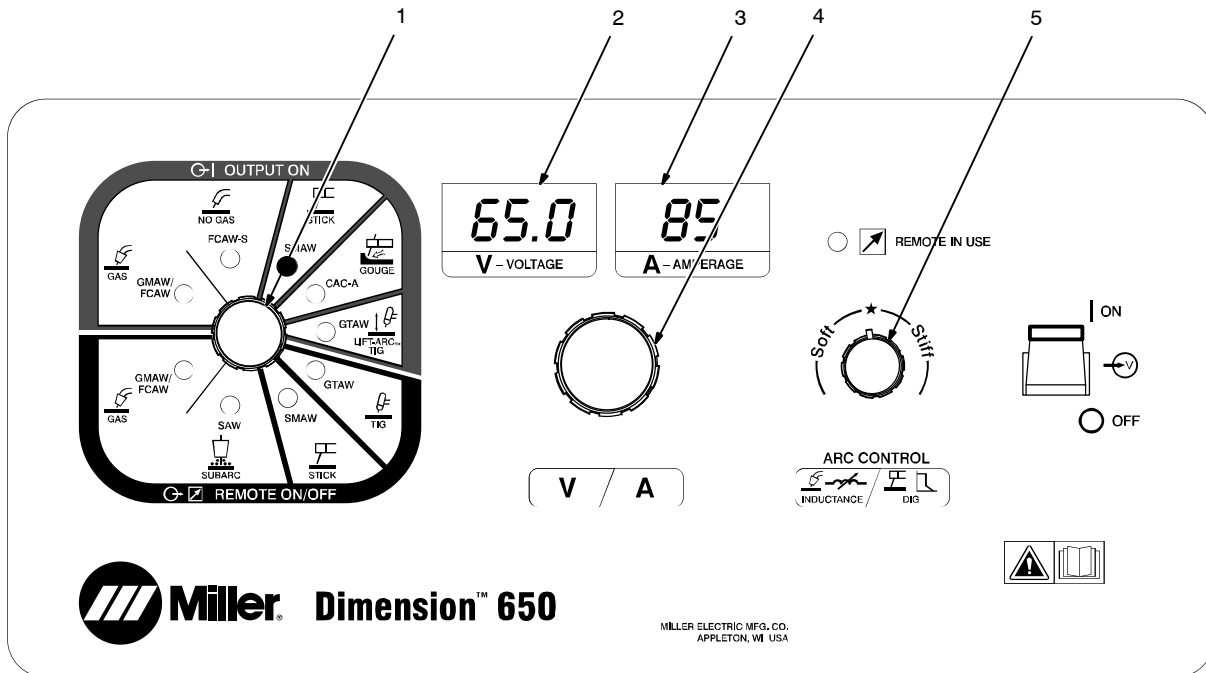
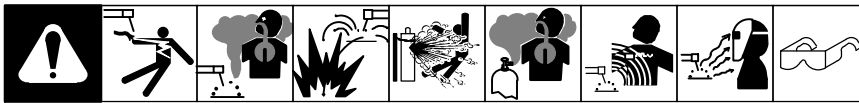
Arc Control

Arc control allows the arc characteristics, soft versus stiff, to be changed for specific applications and electrodes. The *star* setting is good for most applications. Use soft settings (0 to 25) for smooth running electrodes like E7018. Use stiff settings (0 to 25) for penetrating electrodes like E6010.

263561-B

OM-272476 Page 34

9-3. SMAW - Stick Output-On Welding Mode



263561-B

⚠ Weld terminals are energized at all times in SMAW - Stick Output-On welding mode.

- 1 Mode Switch
- 2 Left Display
- 3 Right Display
- 4 Adjust Control
- 5 Arc Control

Setup

For typical system connections refer to Section 9-1.

Rotate Mode Switch to SMAW - Stick Output-On position as shown.

The open circuit voltage is shown in the Left Display and the preset amperage is shown in the Right Display.

Operation

The Adjust Control is used to set desired preset amperage.

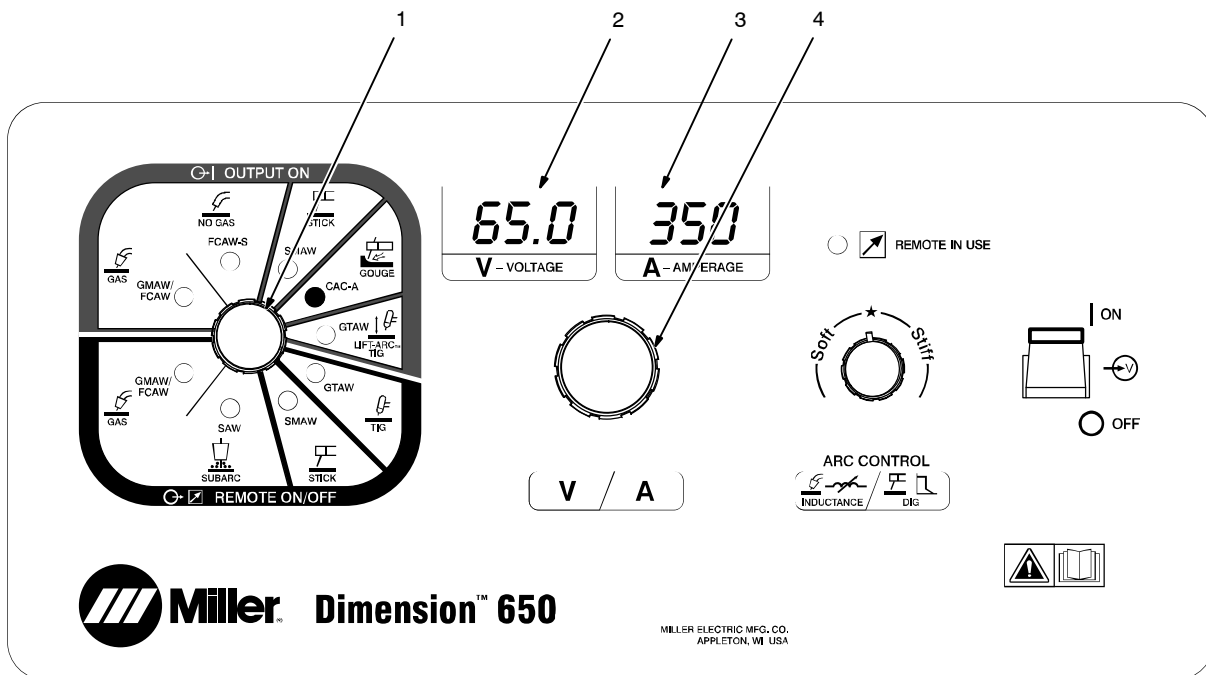
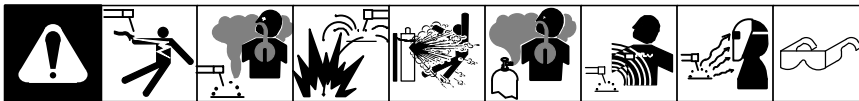
Adaptive Hot Start automatically increases welding amperage at the start of a weld. This helps eliminate electrode sticking during arc initiation.

☞ For best results at the end of the weld, pull back the electrode quickly to extinguish the arc.

Arc Control

Arc control allows the arc characteristics, soft versus stiff, to be changed for specific applications and electrodes. The *star* setting is good for most applications. Use soft settings (0 to 25) for smooth running electrodes like E7018. Use stiff settings (0 to 25) for penetrating electrodes like E6010.

9-4. CAC-A - Gouge Output-On Mode



263561-B

⚠ Weld terminals are energized at all times in CAC-A - Gouge Output-On welding mode.

- 1 Mode Switch
- 2 Left Display
- 3 Right Display
- 4 Adjust Control

Setup

For typical system connections refer to Section 9-1.

Rotate Mode Switch to CAC-A - Gouge Output-On position as shown.

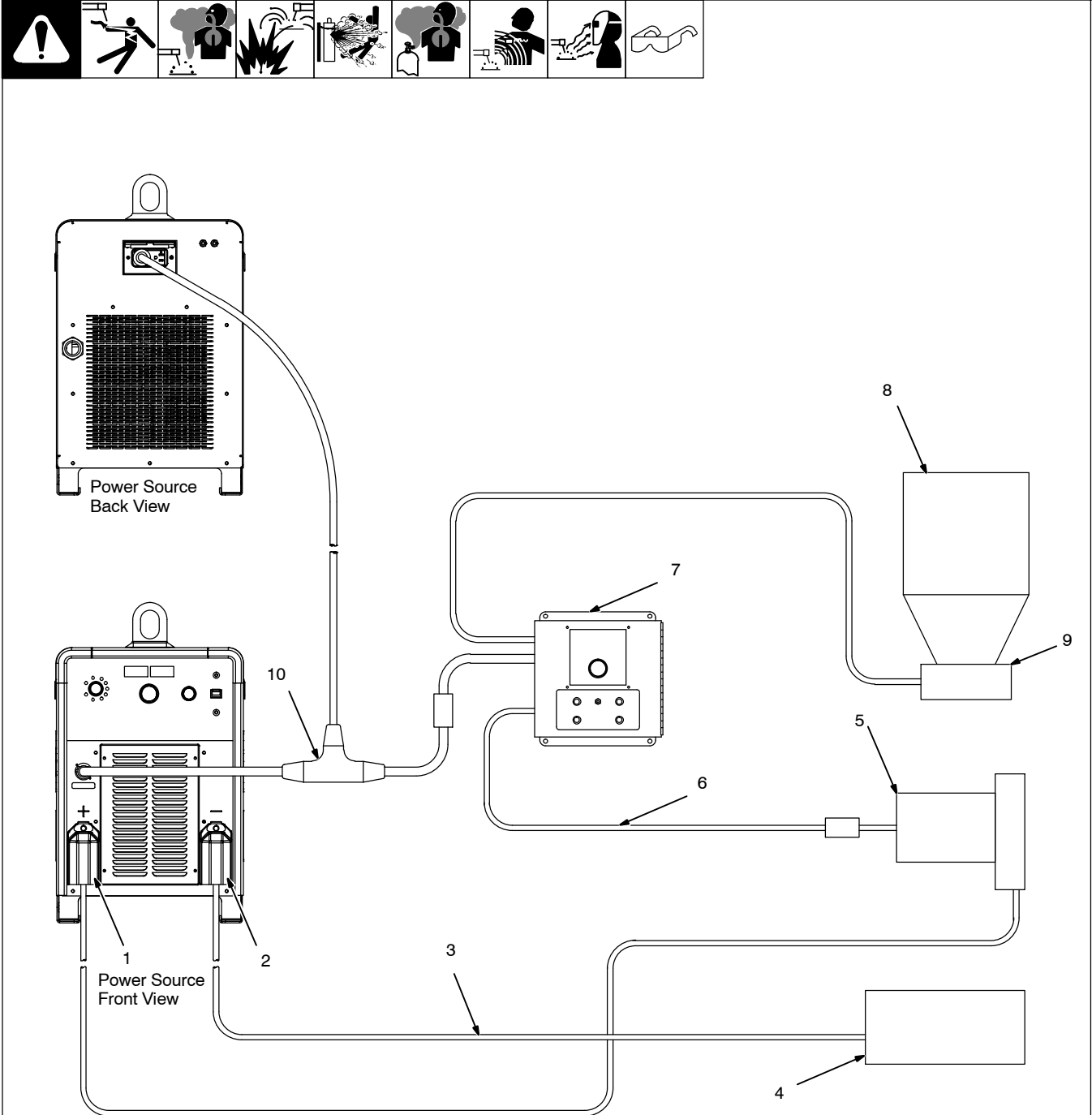
The open circuit voltage is shown in the Left Display and the preset amperage is shown in the Right Display.

Operation

The Adjust Control is used to set desired preset amperage.

SECTION 10 – SAW OPERATION

10-1. Typical Connection For SAW Process



269792-A



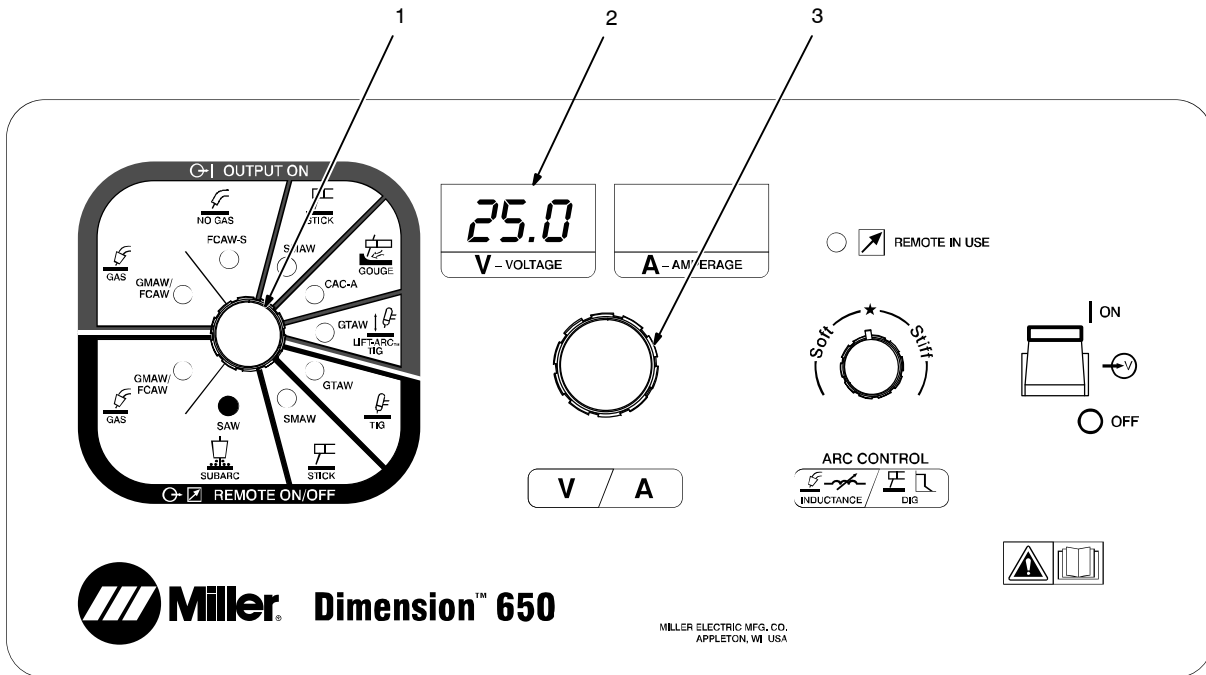
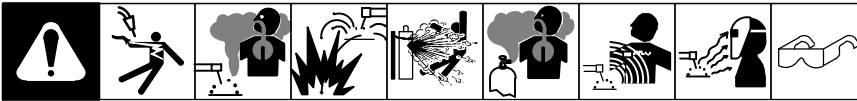
Turn off power before making connections.

- 1 Positive (+) Weld Output Terminal
- 2 Negative (-) Weld Output Terminal

- 3 Ground Cable to Workpiece
- 4 Workpiece
- 5 Wire Drive Assembly
- 6 10 Pin Motor Control Cord

- 7 Saw Control
- 8 Flux System
- 9 Flux Valve
- 10 14 Pin/115V Y-Cord

10-2. SAW - Subarc Remote Welding Mode



263561-B

⚠ Weld terminals are energized through the remote control in SAW - Subarc Remote welding mode.

- 1 Mode Switch
- 2 Left Display
- 3 Adjust Control

Setup

For typical system connections refer to Section 10-1.

Welding Power Source

Rotate Mode Switch to SAW - Subarc Remote position as shown.

The preset voltage is shown in the Left Display.

SAW Controller

When using Miller Electric HDC DX controller, select Dimension 652 or SubArc DC 650 for power source selection.

ⓘ This product is not compatible with digital series of subarc equipment.

Operation

Adjust preset voltage remotely at the SAW controller. This voltage control will override the Adjust Control of preset voltage on the welding power source. The Remote In Use indicator will be lit. See SAW controller Owner's Manual for additional information.

SECTION 11 – MAINTENANCE & TROUBLESHOOTING

11-1. Routine Maintenance

		Disconnect power before maintaining.		<i>Maintain more often during severe conditions.</i>	
3 Months					
Replace Damaged Or Unreadable Labels		Repair Or Replace Cracked Cables		Replace Cracked Torch Body	
				Repair Or Replace Cracked Cables And Cords	
				Clean And Tighten Weld Connections	
6 Months					
Blow Out Inside					

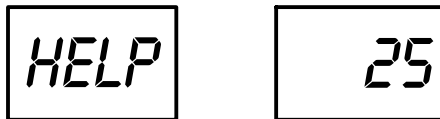
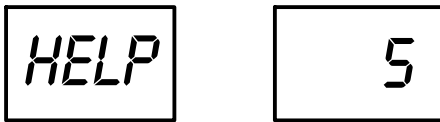
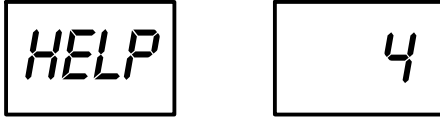
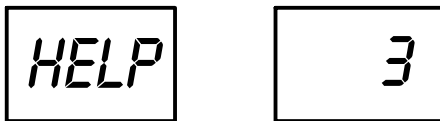
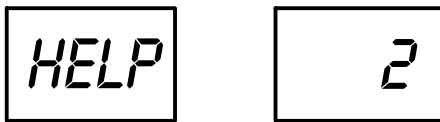
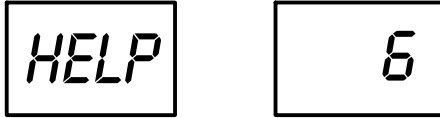
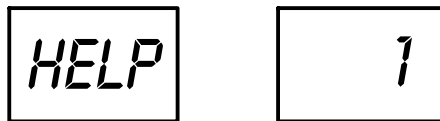
11-2. Blowing Out Inside Of Unit

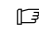
Do not remove case when blowing out inside of unit.

To blow out unit, direct airflow through front and back louvers as shown.

269319-A

11-3. Help Displays



 All directions are in reference to the front of the unit. All circuitry referred to is located inside the unit.

Help 1, 6, 7 Display

Indicates a malfunction in the primary power circuit. If this display is shown, contact a Factory Authorized Service Agent.

Help 2 Display

Indicates a malfunction in the thermal protection circuitry. If this display is shown, contact a Factory Authorized Service Agent.

Help 3 Display

Indicates the left side of the unit has overheated. The unit has shut down to allow the fan to cool it (see Section 4-7). Operation will continue when the unit has cooled.

Help 4 Display

Indicates the auxiliary circuit has overheated. The unit has shut down to allow the fan to cool it. Operation will continue when the unit has cooled.

Help 5 Display

Indicates the right side of the unit has overheated. The unit has shut down to allow the fan to cool it (see Section 4-7). Operation will continue when the unit has cooled.

Help 8 Display

Indicates a malfunction in the secondary power circuit of the unit. If this display is shown, contact a Factory Authorized Service Agent.

Help 25 Display

Indicates machine has reached Duty Cycle limit (See Section 4-7). Unit must be left on to power the fan for cooling. Duty Cycle limit will automatically reset when unit has cooled.

SECTION 12 – ELECTRICAL DIAGRAMS

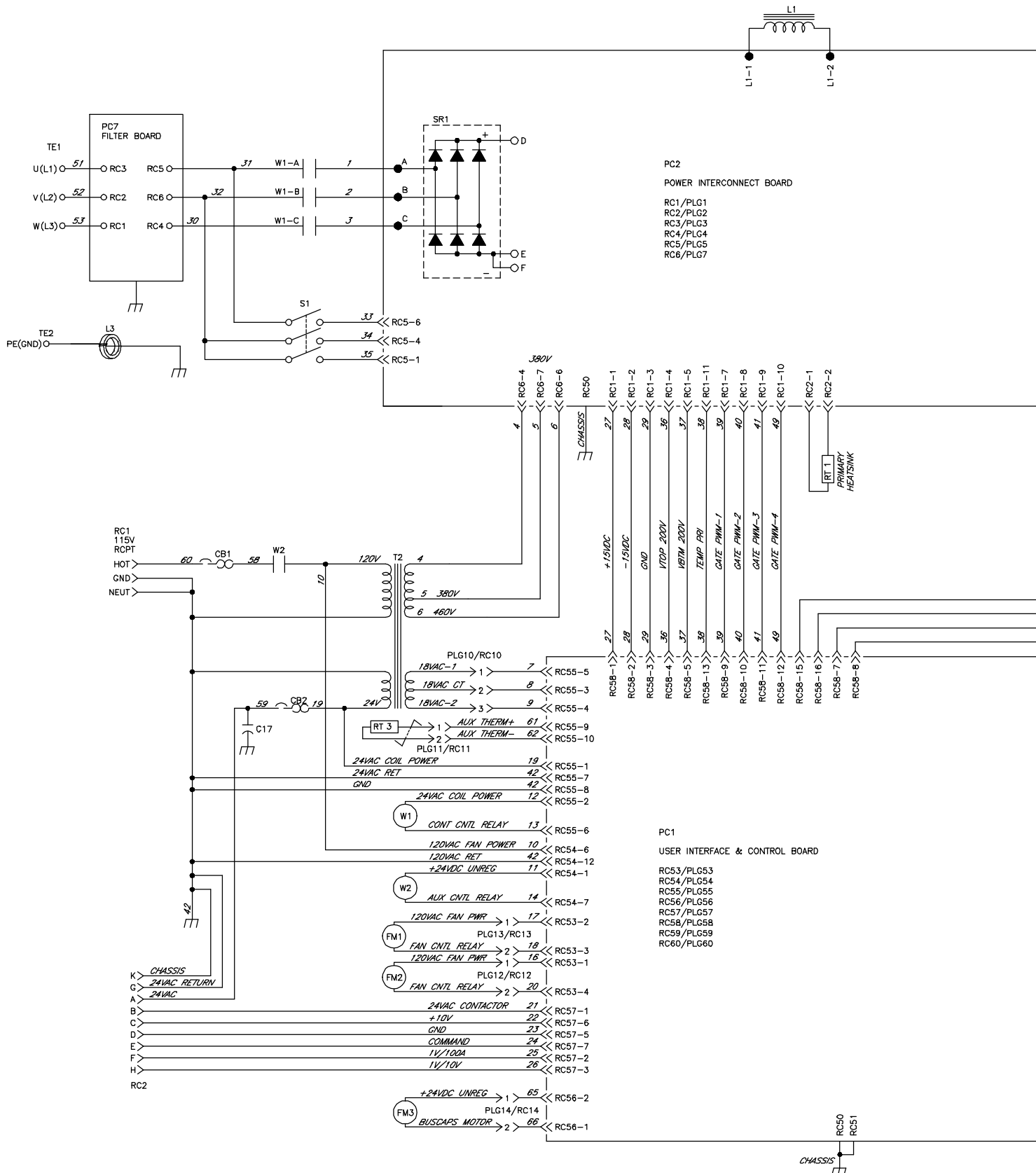
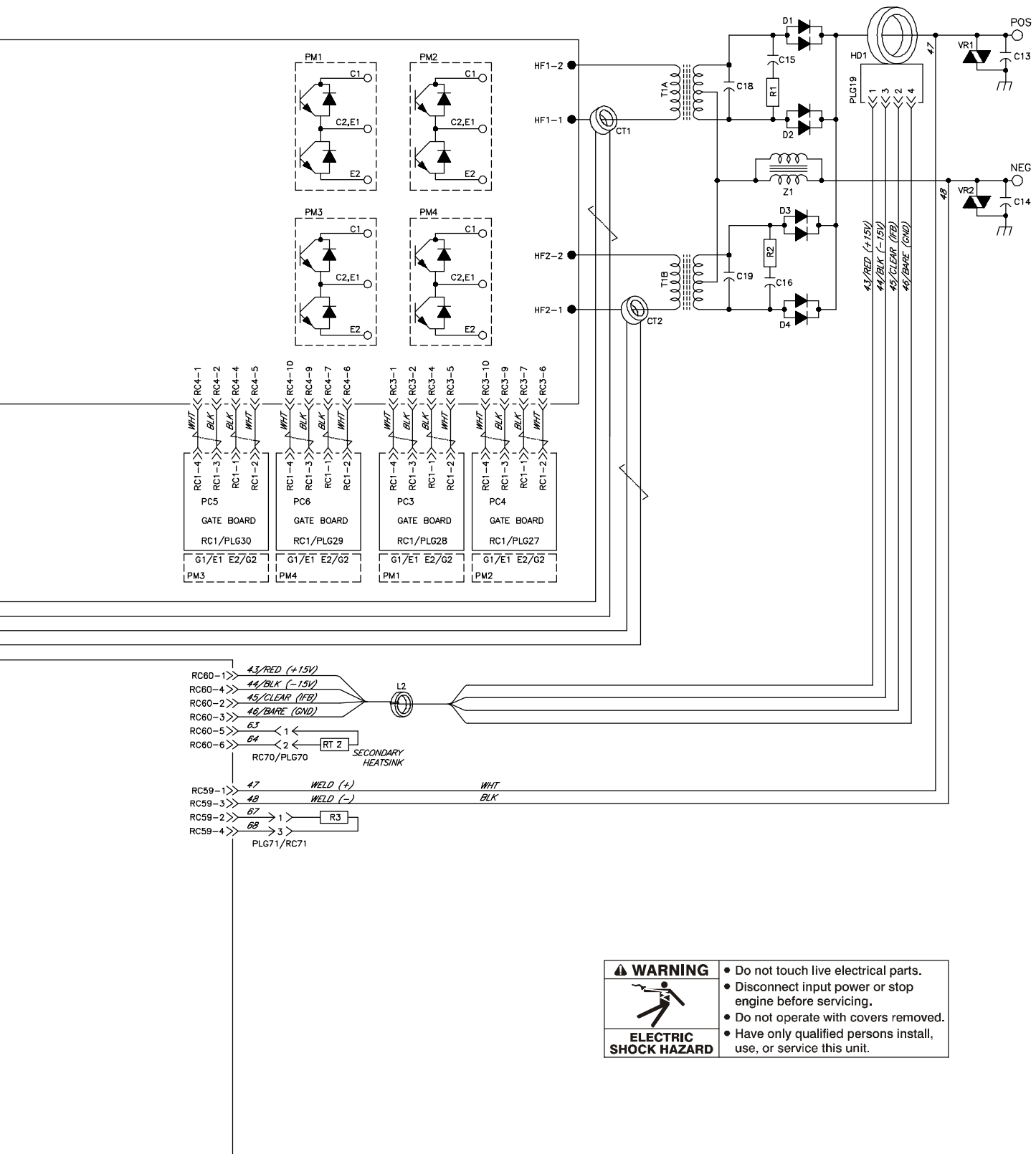




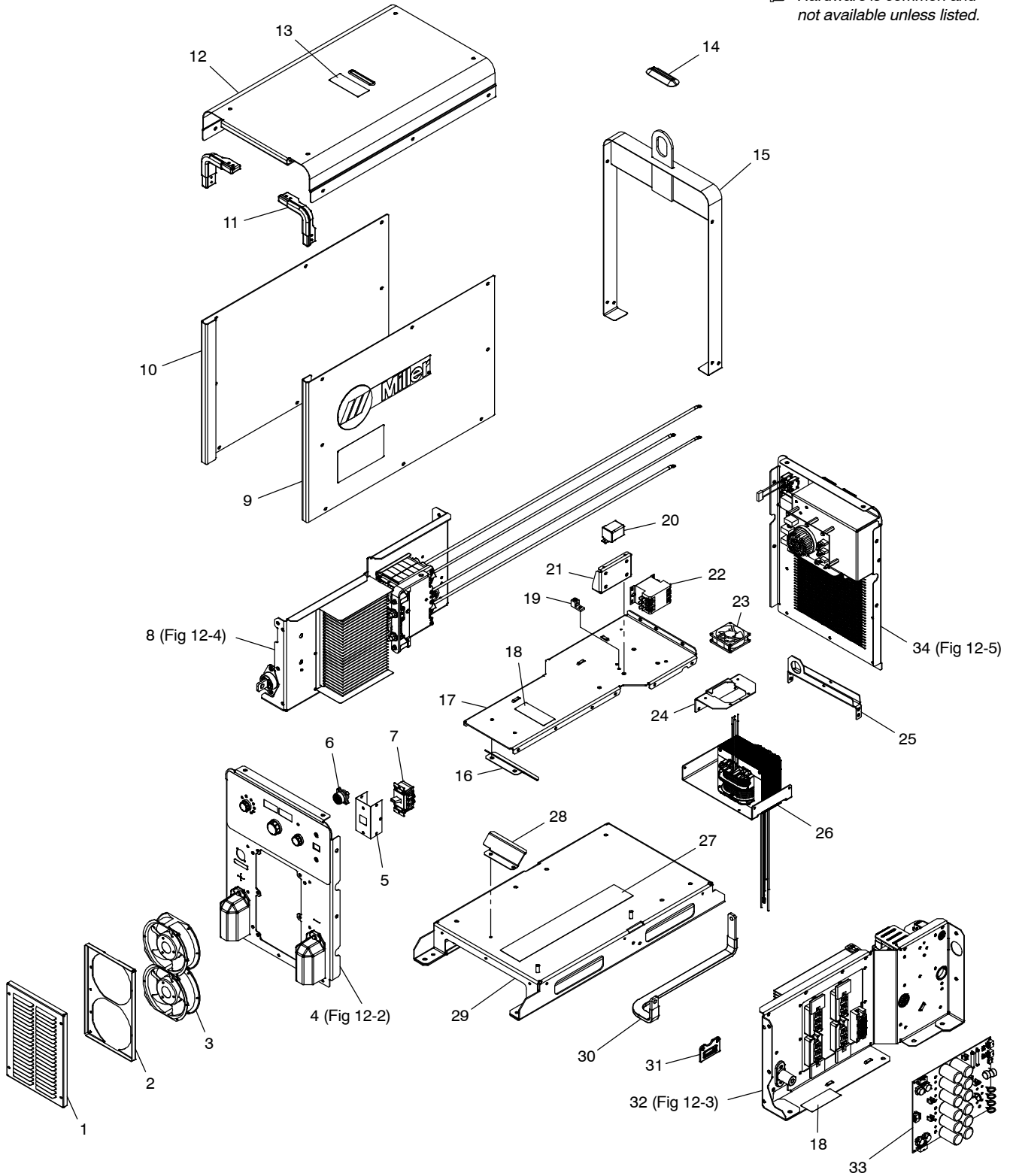
Figure 11-1. Circuit Diagram For Dimension 650 CC/CV 380/400V



 ELECTRIC SHOCK HAZARD	WARNING
	<ul style="list-style-type: none"> • Do not touch live electrical parts. • Disconnect input power or stop engine before servicing. • Do not operate with covers removed. • Have only qualified persons install, use, or service this unit.

SECTION 13 – PARTS LIST

 Hardware is common and not available unless listed.



272811-A

Figure 12-1. Main Assembly

Item No.	Dia. Mkgs.	Part No.	Description	Quantity
----------	------------	----------	-------------	----------

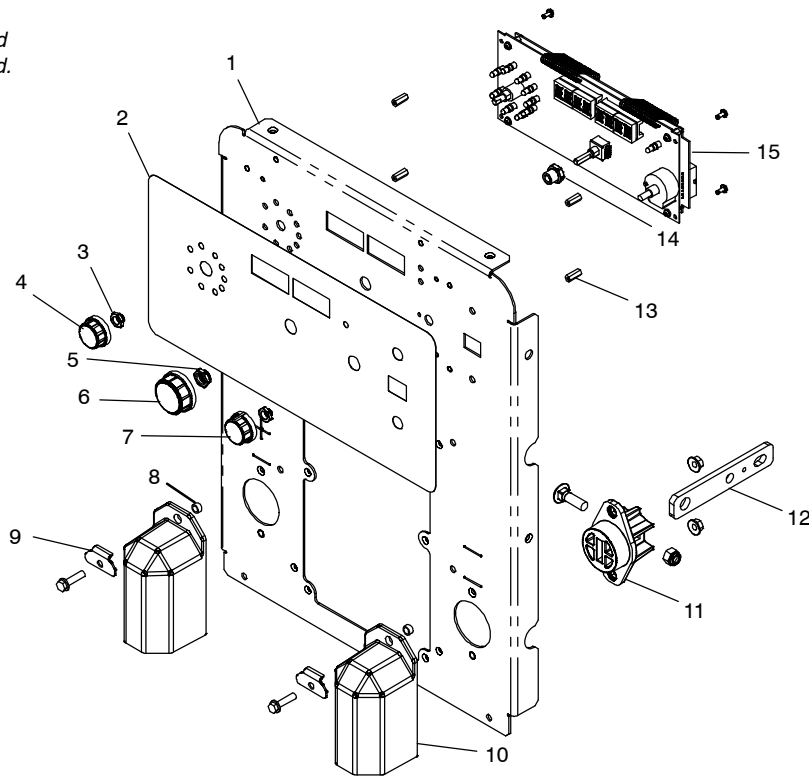
Figure 12-1. Main Assembly

.. 1		267295	.. Box, Louver	1
.. 2		263624	.. Shroud, Fan	1
.. 3	.. FM1,FM2	.. 213072	.. Fan, Muffin 115V 60Hz 3400 RPM 6.378 Mtg Holes	2
.. 4	.. See Figure 12-2		.. Panel, Front W/Cmpnts	1
.. 5		176226	.. Insulator, Switch Power	1
.. 6	.. RC2	.. 143976	.. Rcpt W/Skts, (Service Kit)	1
.. 7	.. S1	.. 244920	.. Switch, Tgl 3Pst 40A 600VAC Scr Term Wide Tgl	1
.. 8	.. See Figure 12-4		.. Windtunnel, Lh W/Cmpnts	1
.. 9		272702	.. Panel, Side Rh (Includes)	1
		263620	.. Panel, Side Folded Edge Right	1
		234534	.. Label, Miller	1
		179310	.. Label, General Precautionary Wordless Intl Small	1
		175256	.. Insulator (Not Shown)	1
.. 10		272564	.. Panel, Side Lh (Includes)	1
		263619	.. Panel, Side Folded Edge Left	1
		234534	.. Label, Miller (Not Shown)	1
		179310	.. Label, General Precautionary Wordless Intl Small (Not Shown)	1
.. 11		267339	.. Bracket, Corner Front (Casting)	2
.. 12		+263606	.. Cover, Top Folded Edge	1
.. 13		272842	.. Label, Warning Falling Equipment Can Injure-Wordles	1
.. 14		232914	.. Seal, Lift Eye	1
.. 15		266958	.. Lift Eye Assy	1
.. 16		272492	.. Baffle, (Upper)	1
.. 17		+263610	.. Cover, Windtunnel	1
.. 18		272700	.. Label, Warning Electric Shock/Exploding Parts	2
.. 19		145743	.. Lug, Univ W/Scr 600V 2-14 Wire .250 Stud	1
.. 20	.. W2	.. 255744	.. Relay, Encl 24 VDC Spst 30A/300Vac 4Pin Flange Mtg	1
.. 21		272469	.. Bracket, Mtg Contactor	1
.. 22	.. W1	.. 180270	.. Contactor, Def Prp 40A 3P 24 VAC Coil W/Boxlug	1
.. 23	.. FM3	.. 183918	.. Motor, Fan 24VDC 3000 RPM 43 Cfm W/10 Ohm Resistor	1
.. 24		263623	.. Bracket, Mtg Fan	1
.. 25		267340	.. Bracket, HF Lead Tray	1
.. 26	.. T2	.. 275036	.. XFMR, Control 380/460 VAC Pri	1
.. 27		269262	.. Insulator, Base/Bus Bar	1
.. 28		272493	.. Baffle, (Lower)	1
.. 29		263597	.. Base, W/Studs	1
.. 30		264243	.. Bus Bar, Stabilizer/Output	1
.. 31		269271	.. Insulator, Windtunnel/Bus Bar	1
.. 32	.. See Figure 12-3		.. Windtunnel, Rh W/Cmpnts	1
.. 33	.. PC2	.. 263632	.. Circuit Card Assy, Interconnecting	1
.. 34	.. See Figure 12-5		.. Panel, Rear W/Cmpnts	1
		262913	.. Kit, Strain Relief 1.250	1
	.. PLG1	.. 241172	.. Housing Plug + Skts, (Service Kit)	1
	.. PLG3, PLG4	.. 241171	.. Housing Plug + Skts, (Service Kit)	2
	.. PLG5	.. 241169	.. Housing Plug + Skts, (Service Kit)	1
	.. PLG7	.. 241170	.. Housing Plug + Skts, (Service Kit)	1
	.. PLG2, 11, 12,			
	.. 13, 14, 70	.. 131054	.. Housing Rcpt + Skts, (Service Kit)	6
	.. RC11, RC12, RC13			
	.. RC14, RC70	.. 135635	.. Housing Plug + Pins, (Service Kit)	5
	.. PLG71	.. 131204	.. Housing Plug + Skts, (Service Kit)	1
	.. RC71	.. 131203	.. Housing Plug + Pins, (Service Kit)	1
	.. PLG10, PLG27, PLG28			
	.. PLG29, PLG30	.. 241168	.. Housing Plug + Skts, (Service Kit)	5
	.. PLG19	.. 115094	.. Housing Plug + Skts, (Service Kit)	1
	.. RC10	.. 275039	.. Housing Plug + Skts, (Service Kit)	1

+ When ordering a component originally displaying a precautionary label, the label should also be ordered.

To maintain the factory original performance of your equipment, use only Manufacturer's Suggested Replacement Parts. Model and serial number required when ordering parts from your local distributor.

☞ Hardware is common and not available unless listed.



269850-B

Figure 12-2. Front Panel

Item No.	Dia. Mkgs.	Part No.	Description	Quantity
----------	------------	----------	-------------	----------

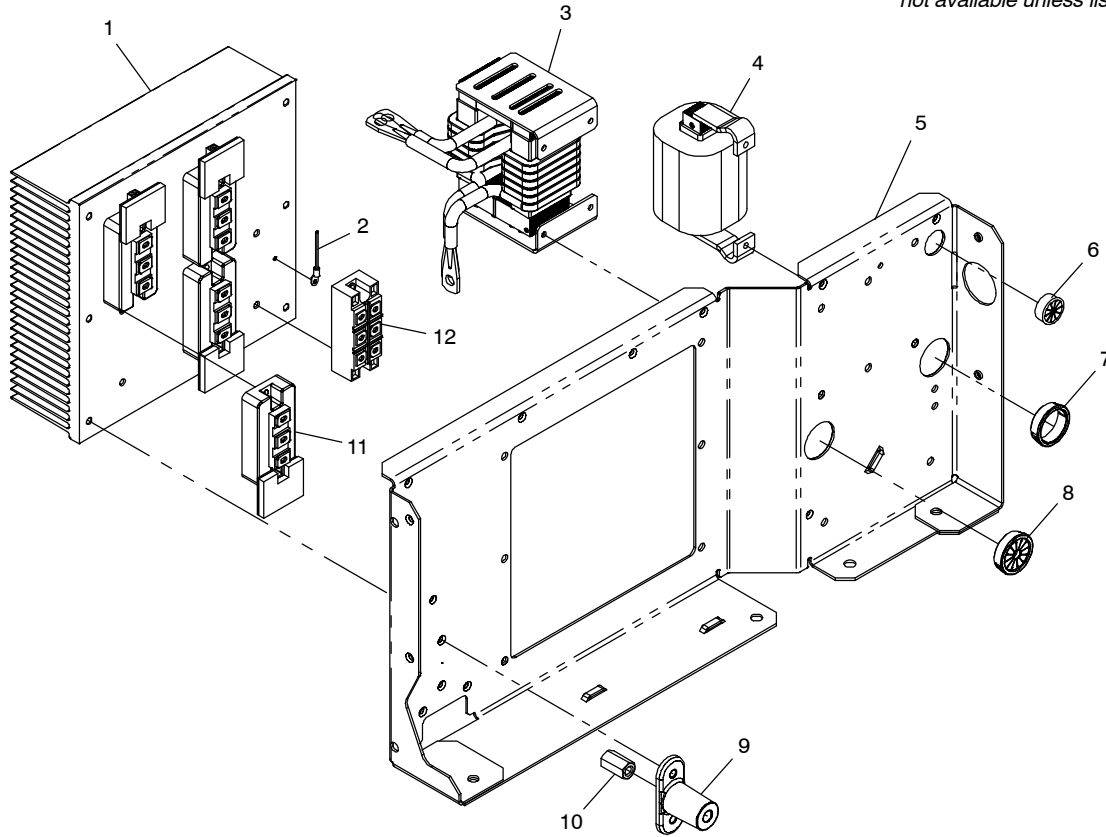
Figure 12-2. Front Panel

.. 1	..	+264279	.. Panel, Front W/Studs	.. 1
.. 2	..	263561	.. Label, Nameplate Miller Dimension 650	.. 1
.. 3	..	231468	.. Nut, 375-32 .56Hex .22H Brs Conical Knurl	.. 2
.. 4	..	245663	.. Knob, Encoder 1.250 Dia X .250 Id Push On W/Spring	.. 1
.. 5	..	231469	.. Nut, 500-28 .69Hex .28H Brs Conical Knurl	.. 1
.. 6	..	213134	.. Knob, Encoder 1.670 Dia X .250 Id Push On W/Spring	.. 1
.. 7	..	174991	.. Knob, Pointer 1.250 Dia X .250 Id W/Spring Clip-.21	.. 1
.. 8	..	181169	.. Spacer, Output Stud	.. 2
.. 9	..	268891	.. Washer, Output Stud	.. 2
.. 10	..	264114	.. Boot, Generic Output Stud	.. 2
.. 11	..	263560	.. Terminal, Pwr Output Black	.. 1
.. 12	..	263570	.. Bus Bar, Output	.. 1
.. 13	..	190512	.. Stand-off, No 6-32 X .640 Lg .250 Hex Al Fem	.. 4
.. 14	..	231470	.. Nut, Adapter Encoder Shaft Mtg 375-32 To 500-28	.. 1
.. 15	.. PC1	274999	.. Kit, Circuit Card Assy Front Panel & Display W/Prgm	.. 1
..	.. PLG56	241167	.. Housing Plug + Skts, (Service Kit)	.. 1
..	.. PLG59, PLG53	241168	.. Housing Plug + Skts, (Service Kit)	.. 2
..	.. PLG60	241169	.. Housing Plug + Skts, (Service Kit)	.. 1
..	.. PLG57	241170	.. Housing Plug + Skts, (Service Kit)	.. 1
..	.. PLG55	241171	.. Housing Plug + Skts, (Service Kit)	.. 1
..	.. PLG54	241172	.. Housing Plug + Skts, (Service Kit)	.. 1
..	.. PLG58	269989	.. Housing Plug + Skts, (Service Kit)	.. 1
..	.. C13,C14	267745	.. Capacitor Assy	.. 2
..	.. VR1, VR2	274779	.. Varistor, W/Terminals	.. 2
..	..	263611	.. Plug, W/Leads (Voltage Feedback)	.. 1
..	..	263613	.. Cable Assy, Current Feedback W/Ferrite Core	.. 2
..	..	266925	.. Plugs, W/Leads & Current Xfms (Includes)	.. 1
..	.. CT1, CT2	266798	.. XFMR, Current Sensing 200/1	.. 2
..	..	269893	.. Screw, 500-13x1.00 (Not Shown) Output Stud Hardware	.. 2
..	..	222794	.. Nut, 500-13.75 Hex (Not Shown) Output Stud Hardware	.. 2

+ When ordering a component originally displaying a precautionary label, the label should also be ordered.

To maintain the factory original performance of your equipment, use only Manufacturer's Suggested Replacement Parts. Model and serial number required when ordering parts from your local distributor.

☞ Hardware is common and not available unless listed.



275944-A

Figure 12-3. Wind Tunnel, RH

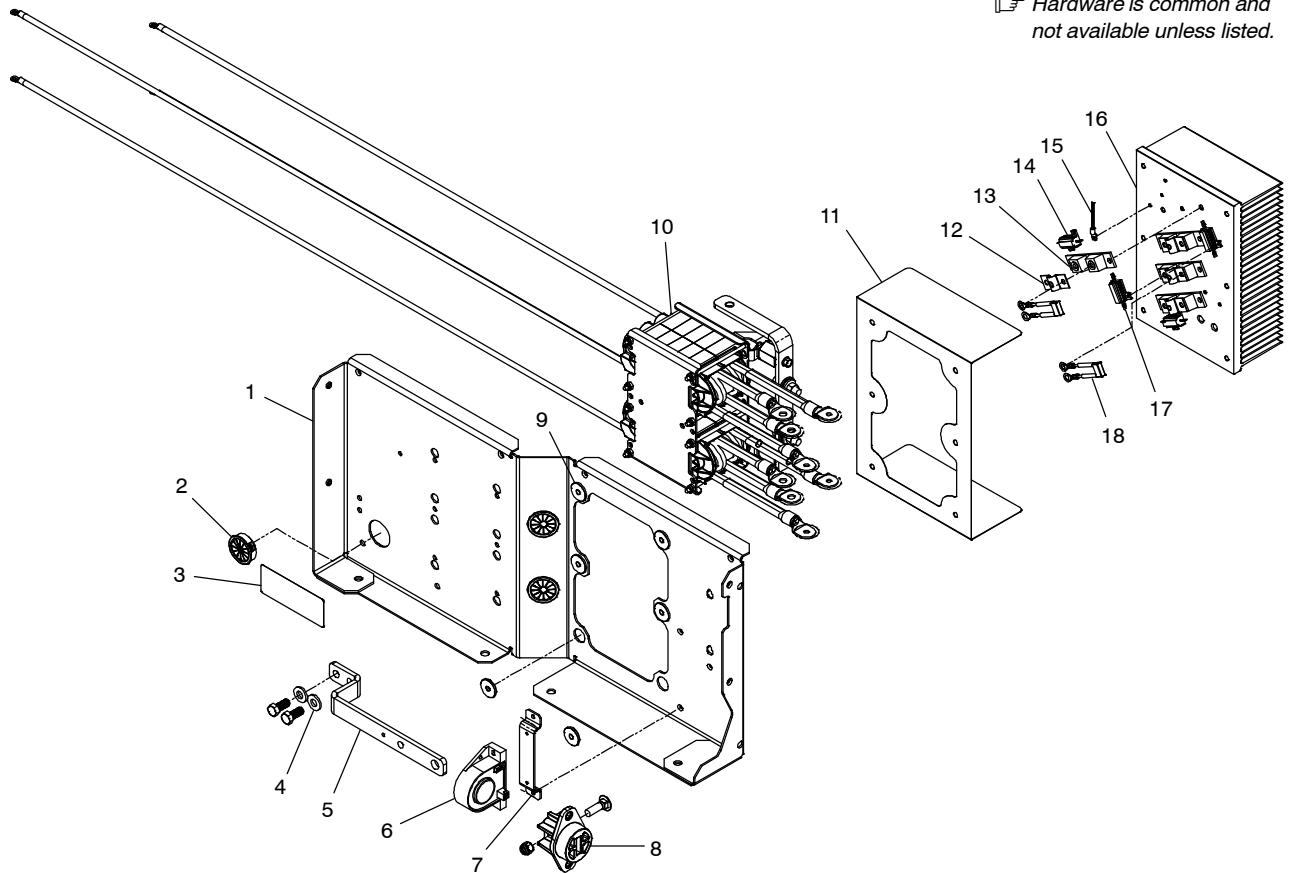
Item No.	Dia. Mkgs.	Part No.	Description	Quantity
----------	------------	----------	-------------	----------

Figure 12-3. Wind Tunnel, RH

.. 1		263555 ..	Heat Sink, Power Module	1
.. 2	RT1	199798 ..	Thermistor, Ntc 30K Ohm @ 25 Deg C 18.00in. 2500V	1
.. 3	Z1	263583 ..	Inductor, Output	1
.. 4	L1	272366 ..	Inductor, Input	1
.. 5		263578 ..	Windtunnel, Rh	1
.. 6		153403 ..	Bushing, Snap-in Nyl .750 Id X 1.000 Mtg Hole Cent	2
.. 7		170647 ..	Bushing, Snap-in Nyl 1.312 Id X 1.500 Mtg Hole	1
.. 8		245520 ..	Bushing, Snap-in Nyl 1.062 Id X 1.500 Mtg Hole Cent	1
.. 9		264199 ..	Stand-off, Insul Bus Bar	1
.. 10		268532 ..	Nut, 375-16 .63Hex 1.13H Stl Pld Clr Coupling	1
.. 11 ..	PM1-PM4 ..	263595 ..	Kit, Transistor IGBT Module (Vishay) (2 Modules)	2
.....		273362 ..	Plugs, W/Leads (Gate)	2
.. 12	SR1	184260 ..	Kit, Diode Power Module	1

To maintain the factory original performance of your equipment, use only Manufacturer's Suggested Replacement Parts. Model and serial number required when ordering parts from your local distributor.

☞ Hardware is common and not available unless listed.



272803-A

Figure 12-4. Wind Tunnel, LH

Item No.	Dia. Mkgs.	Part No.	Description	Quantity
----------	------------	----------	-------------	----------

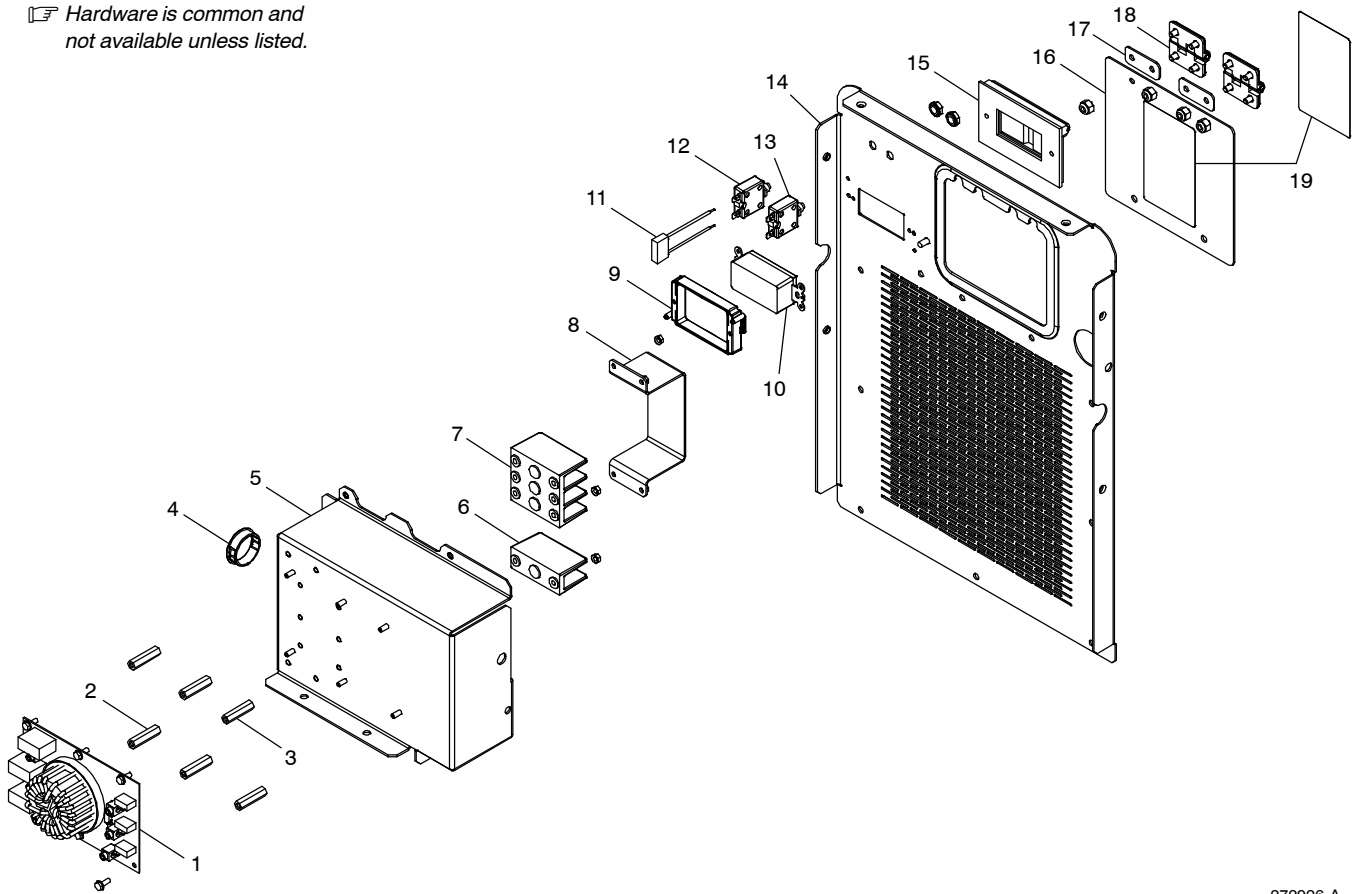
Figure 12-4. Wind Tunnel, LH

.. 1		+263569 ..	Windtunnel, Lh	1
.. 2		245520 ..	Bushing, Snap-In Nyl 1.062 Id X 1.500 Mtg Hole Cent	3
.. 3		272700 ..	Label, Warning Electric Shock/Exploding Parts	1
.. 4		183387 ..	Washer, Cone .380idx .860odx.109T Stl Pld 4000lbs	2
.. 5		263571 ..	Bus Bar, Diode	4
.. 6	HD1	168829 ..	Transducer, Current 1000A Module Max Open Loop	1
.. 7		264242 ..	Bracket, Mtg Lem	1
.. 8		263559 ..	Terminal, Pwr Output Red	1
.. 9		196355 ..	Insulator, Screw	6
.. 10	T1	269226 ..	Xfmr Assy, Hf	1
.. 11		263556 ..	Insulator, Heatsink	1
.. 12		199840 ..	Bus Bar, Diode	4
.. 13 ...	D1-D4	269909 ..	Kit, Diode Power Module (Vishay)	4
.. 14 R1/C15,R2/C16		266955 ..	Resistor/Capacitor Assy	2
.. 15	RT2	173632 ..	Thermistor, Ntc 30K Ohm @ 25 Deg C 12.00 in. Lead	1
.. 16		263554 ..	Heat Sink, Rect Output	1
.. 17	R3	270758 ..	Resistor W/Leads	1
.. 18 ..	C18, C19	219191 ..	Capacitor, Polyp Film	2

+ When ordering a component originally displaying a precautionary label, the label should also be ordered.

To maintain the factory original performance of your equipment, use only Manufacturer's Suggested Replacement Parts. Model and serial number required when ordering parts from your local distributor.

☞ Hardware is common and not available unless listed.



272926-A

Figure 12-5. Rear Panel Assembly

Item No.	Dia. Mkgs.	Part No.	Description	Quantity
.. 1	PC7	272312	Circuit Card Assy, Input Filter	1
.. 2		272347	Stand-Off, No 10-32 X 1.500 Lg .375 Hex Nyl Fem	4
.. 3		272486	Stand-Off, No 10-32 X 1.500 Lg .375 Hex Al Fem	2
.. 4		170647	Bushing, Snap-In Nyl 1.312 Id X 1.500 Mtg Hole	1
.. 5		272479	Enclosure Assy, Primary Power Input	1
.. 6	TE2	272482	Block, Terminal 1 Pole	1
.. 7	TE1	198951	Block, Terminal 3 Pole	1
.. 8		272481	Bracket, Mtg Primary Block Cover	1
.. 9		265204	Ring, Aux Power Receptacle	1
.. 10		214918	Rcpt, Str Dx Grd 2P3W 20A 125V *5-20R	1
.. 11	C17	270072	Capacitor Assy, W/Lead	1
.. 12	CB2	083432	Supplementary Pro, Man Reset 1P 10A 250VAC Frict	1
.. 13	CB1	093996	Supplementary Pro, Man Reset 1P 20A 250VAC Frict	1
.. 14		272478	Panel, Rear	1
.. 15		154022	Cover, Receptacle Duplex GFCI	1
.. 16		272480	Door, Primary Access	1
.. 17		272793	Spacer, Hinge	2
.. 18		272792	Hinge, Door	2
.. 19		272701	Label, Warning Input Conn/Elec Shock (Sym)	2

+ When ordering a component originally displaying a precautionary label, the label should also be ordered.
To maintain the factory original performance of your equipment, use only Manufacturer's Suggested Replacement Parts. Model and serial number required when ordering parts from your local distributor.

TRUE BLUE[®]

WARRANTY

Effective January 1, 2017

(Equipment with a serial number preface of MH or newer)

This limited warranty supersedes all previous Miller warranties and is exclusive with no other guarantees or warranties expressed or implied.

Warranty Questions?

Call
1-800-4-A-MILLER
for your local
Miller distributor.

Your distributor also gives
you ...

Service

You always get the fast,
reliable response you
need. Most replacement
parts can be in your
hands in 24 hours.

Support

Need fast answers to the
tough welding questions?
Contact your distributor.
The expertise of the
distributor and Miller is
there to help you, every
step of the way.

LIMITED WARRANTY – Subject to the terms and conditions below, Miller Electric Mfg. Co., Appleton, Wisconsin, warrants to its original retail purchaser that new Miller equipment sold after the effective date of this limited warranty is free of defects in material and workmanship at the time it is shipped by Miller. THIS WARRANTY IS EXPRESSLY IN LIEU OF ALL OTHER WARRANTIES, EXPRESS OR IMPLIED, INCLUDING THE WARRANTIES OF MERCHANTABILITY AND FITNESS.

Within the warranty periods listed below, Miller will repair or replace any warranted parts or components that fail due to such defects in material or workmanship. Miller must be notified in writing within thirty (30) days of such defect or failure, at which time Miller will provide instructions on the warranty claim procedures to be followed. If notification is submitted as an online warranty claim, the claim must include a detailed description of the fault and the troubleshooting steps taken to identify failed components and the cause of their failure.

Miller shall honor warranty claims on warranted equipment listed below in the event of such a failure within the warranty time periods. All warranty time periods start on the delivery date of the equipment to the original end-user purchaser, and not to exceed twelve months after the equipment is shipped to a North American distributor or eighteen months after the equipment is shipped to an International distributor.

1. 5 Years Parts — 3 Years Labor
 - * Original Main Power Rectifiers Only to Include SCRs, Diodes, and Discrete Rectifier Modules
2. 3 Years — Parts and Labor
 - * Auto-Darkening Helmet Lenses (Except Classic Series) (No Labor)
 - * Engine Driven Welder/Generators
(NOTE: Engines are Warranted Separately by the Engine Manufacturer.)
 - * Inverter Power Sources (Unless Otherwise Stated)
 - * Plasma Arc Cutting Power Sources
 - * Process Controllers
 - * Semi-Automatic and Automatic Wire Feeders
 - * Transformer/Rectifier Power Sources
3. 2 Years — Parts and Labor
 - * Auto-Darkening Helmet Lenses – Classic Series Only (No Labor)
 - * Fume Extractors – Capture 5, Filtair 400 and Industrial Collector Series
4. 1 Year — Parts and Labor Unless Specified
 - * AugmentedArc and LiveArc Welding Systems
 - * Automatic Motion Devices
 - * Bernard BTB Air-Cooled MIG Guns (No Labor)
 - * CoolBelt and CoolBand Blower Unit (No Labor)
 - * Desiccant Air Dryer System
 - * External Monitoring Equipment and Sensors
 - * Field Options
(NOTE: Field options are covered for the remaining warranty period of the product they are installed in, or for a minimum of one year — whichever is greater.)
 - * RFCS Foot Controls (Except RFCS-RJ45)
 - * Fume Extractors – Filtair 130, MWX and SWX Series
 - * HF Units
 - * ICE/XT Plasma Cutting Torches (No Labor)
 - * Induction Heating Power Sources, Coolers
(NOTE: Digital Recorders are Warranted Separately by the Manufacturer.)
 - * Load Banks
 - * Motor-Driven Guns (except Spoolmate Spoolguns)
 - * PAPR Blower Unit (No Labor)
 - * Positioners and Controllers
 - * Racks
 - * Running Gear/Trailers
 - * Spot Welders
 - * Subarc Wire Drive Assemblies
 - * TIG Torches (No Labor)
 - * Tregaskiss Guns (No Labor)
 - * Water Cooling Systems
 - * Wireless Remote Foot/Hand Controls and Receivers
 - * Work Stations/Weld Tables (No Labor)

5. 6 Months — Parts
 - * Batteries
6. 90 Days — Parts
 - * Accessory (Kits)
 - * Canvas Covers
 - * Induction Heating Coils and Blankets, Cables, and Non-Electronic Controls
 - * M-Guns
 - * MIG Guns, Subarc (SAW) Torches, and External Cladding Heads
 - * Remote Controls and RFCS-RJ45
 - * Replacement Parts (No labor)
 - * Spoolmate Spoolguns

Miller's True Blue[®] Limited Warranty shall not apply to:

1. **Consumable components; such as contact tips, cutting nozzles, contactors, brushes, relays, work station table tops and welding curtains, or parts that fail due to normal wear. (Exception: brushes and relays are covered on all engine-driven products.)**
2. Items furnished by Miller, but manufactured by others, such as engines or trade accessories. These items are covered by the manufacturer's warranty, if any.
3. Equipment that has been modified by any party other than Miller, or equipment that has been improperly installed, improperly operated or misused based upon industry standards, or equipment which has not had reasonable and necessary maintenance, or equipment which has been used for operation outside of the specifications for the equipment.

MILLER PRODUCTS ARE INTENDED FOR PURCHASE AND USE BY COMMERCIAL/INDUSTRIAL USERS AND PERSONS TRAINED AND EXPERIENCED IN THE USE AND MAINTENANCE OF WELDING EQUIPMENT.

In the event of a warranty claim covered by this warranty, the exclusive remedies shall be, at Miller's option: (1) repair; or (2) replacement; or, where authorized in writing by Miller in appropriate cases, (3) the reasonable cost of repair or replacement at an authorized Miller service station; or (4) payment of or credit for the purchase price (less reasonable depreciation based upon actual use) upon return of the goods at customer's risk and expense. Miller's option of repair or replacement will be F.O.B., Factory at Appleton, Wisconsin, or F.O.B. at a Miller authorized service facility as determined by Miller. Therefore no compensation or reimbursement for transportation costs of any kind will be allowed.

TO THE EXTENT PERMITTED BY LAW, THE REMEDIES PROVIDED HEREIN ARE THE SOLE AND EXCLUSIVE REMEDIES. IN NO EVENT SHALL MILLER BE LIABLE FOR DIRECT, INDIRECT, SPECIAL, INCIDENTAL OR CONSEQUENTIAL DAMAGES (INCLUDING LOSS OF PROFIT), WHETHER BASED ON CONTRACT, TORT OR ANY OTHER LEGAL THEORY.

ANY EXPRESS WARRANTY NOT PROVIDED HEREIN AND ANY IMPLIED WARRANTY, GUARANTY OR REPRESENTATION AS TO PERFORMANCE, AND ANY REMEDY FOR BREACH OF CONTRACT TORT OR ANY OTHER LEGAL THEORY WHICH, BUT FOR THIS PROVISION, MIGHT ARISE BY IMPLICATION, OPERATION OF LAW, CUSTOM OF TRADE OR COURSE OF DEALING, INCLUDING ANY IMPLIED WARRANTY OF MERCHANTABILITY OR FITNESS FOR PARTICULAR PURPOSE, WITH RESPECT TO ANY AND ALL EQUIPMENT FURNISHED BY MILLER IS EXCLUDED AND DISCLAIMED BY MILLER.

Some states in the U.S.A. do not allow limitations of how long an implied warranty lasts, or the exclusion of incidental, indirect, special or consequential damages, so the above limitation or exclusion may not apply to you. This warranty provides specific legal rights, and other rights may be available, but may vary from state to state.

In Canada, legislation in some provinces provides for certain additional warranties or remedies other than as stated herein, and to the extent that they may not be waived, the limitations and exclusions set out above may not apply. This Limited Warranty provides specific legal rights, and other rights may be available, but may vary from province to province.





Owner's Record

Please complete and retain with your personal records.

Model Name

Serial/Style Number

Purchase Date

(Date which equipment was delivered to original customer.)

Distributor

Address

City

State

Zip



For Service

Contact a DISTRIBUTOR or SERVICE AGENCY near you.

Always provide Model Name and Serial/Style Number.

Contact your Distributor for:

Welding Supplies and Consumables

Options and Accessories

Personal Safety Equipment

Service and Repair

Replacement Parts

Training (Schools, Videos, Books)

Technical Manuals (Servicing Information and Parts)

Circuit Diagrams

Welding Process Handbooks

To locate a Distributor or Service Agency visit www.millerwelds.com or call 1-800-4-A-Miller

Contact the Delivering Carrier to:

File a claim for loss or damage during shipment.

For assistance in filing or settling claims, contact your distributor and/or equipment manufacturer's Transportation Department.

Miller Electric Mfg. Co.

An Illinois Tool Works Company
1635 West Spencer Street
Appleton, WI 54914 USA

International Headquarters—USA

USA Phone: 920-735-4505 Auto-Attended
USA & Canada FAX: 920-735-4134
International FAX: 920-735-4125

For International Locations Visit
www.MillerWelds.com

